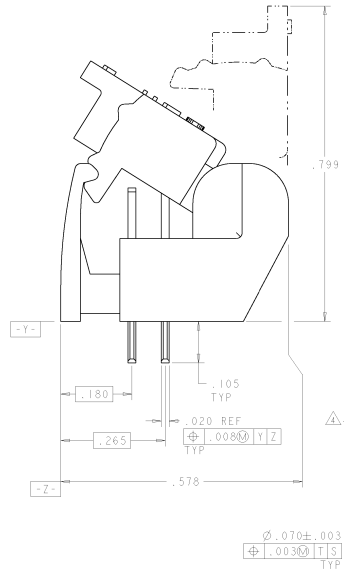
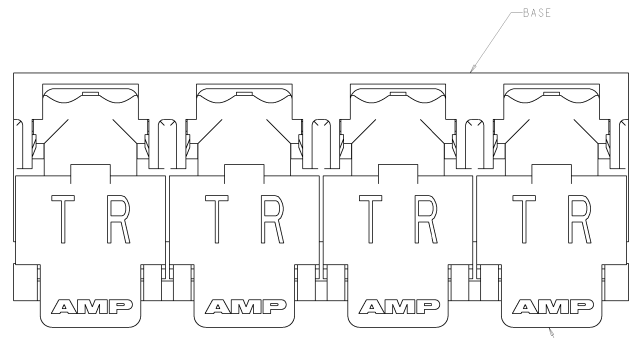
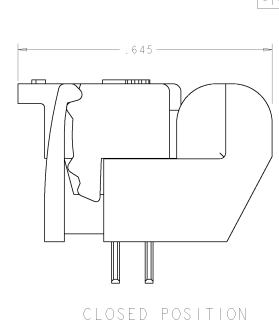
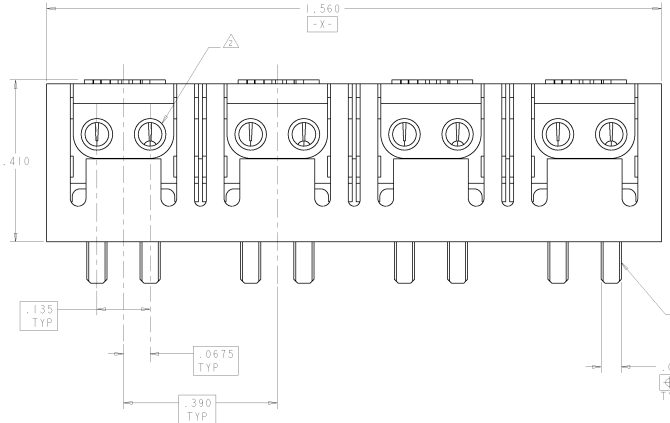
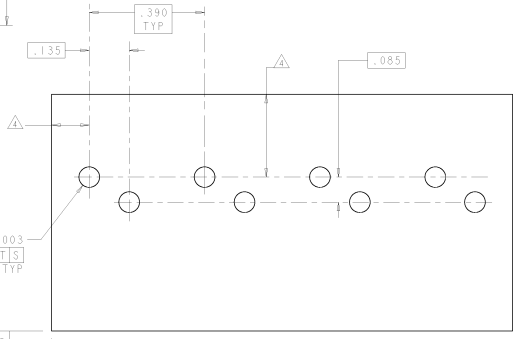


8	7	6	5	4	3	2	1
DATE APPROVED BY: [Signature]	REVISIONS FOR FACILITIES:						
BY: [Signature]	BY: [Signature]						

REV	DATE	DESCRIPTION	BY	CHK	APP
GP	0				
B	REV. EC 9011-C-0007-01		DLRMB	JA	TR
C	REVISED PER EC 9515-0458-02		DLRMB	DLB	RFM
D	REVISED PER EC 9515-0524-03		DLRMB	JB	CF



- △ MATERIAL: BASE - POLYESTER MOLDING COMPOUND, BLACK.  
WIRE STUFFER: - POLYESTER MOLDING COMPOUND. SEE TABLE FOR COLOR.  
TERMINAL - COPPER ALLOY, PLATED WITH 3.81µm MINIMUM THICK TIN OVER 1.27µm MINIMUM THICK NICKEL UNDERPLATE.
- △ EACH WIRE ENTRY HOLE ACCEPTS ONE UNSTRIPPED SOLID COPPER 22-26 AWG WIRE WITH WIRE INSULATION DIAMETER RANGE FROM .060 THROUGH .040. OTHER WIRE SIZES AND TYPES SHALL BE SUBMITTED TO AMP ENGINEERS FOR APPLICATION APPROVAL.
- 3. SOLDER TABS PROVIDED FOR PERMANENT BOARD MOUNTING.
- △ LOCATION OF HOLE PATTERN DETERMINED BASED ON CUSTOMER REQUIREMENTS.



SUGGESTED PRINTED CIRCUIT BOARD MOUNTING DIMENSIONS VIEWED FROM SOLDER SIDE

BLACK	1339375-2
CLEAR	1339375-1
STUFFER COLOR	PART NUMBER

AMP Incorporated Harrisburg, PA 17105-8808	
PART NUMBER: 1339375-2 DESCRIPTION: ASSEMBLY, FOUR PAIR, DOUBLE ENTRY, PIVOT II CONNECTOR	CASE FILE: A100779 PART NUMBER: 1339375
MATERIAL: PLASTIC FINISH:	CUSTOMER DRAWING: