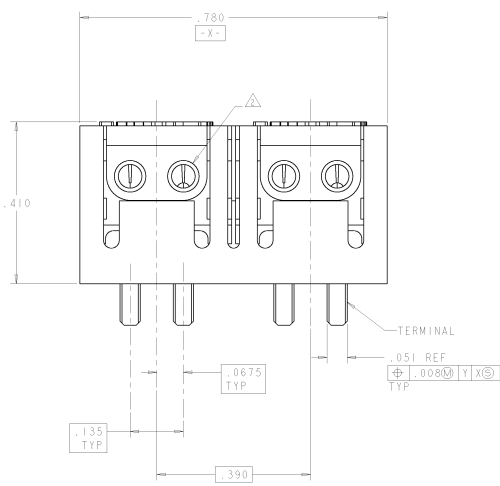
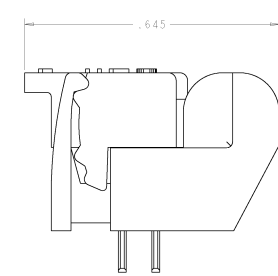
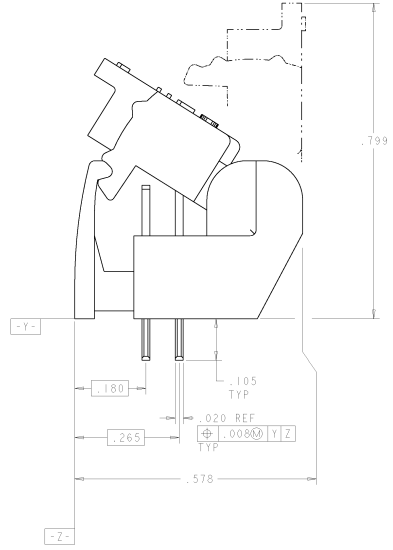
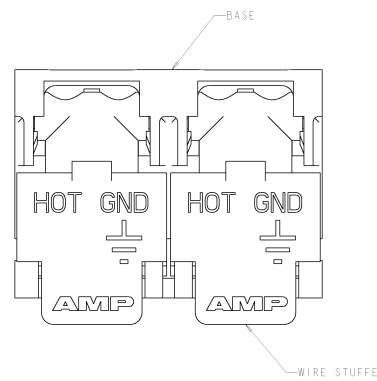
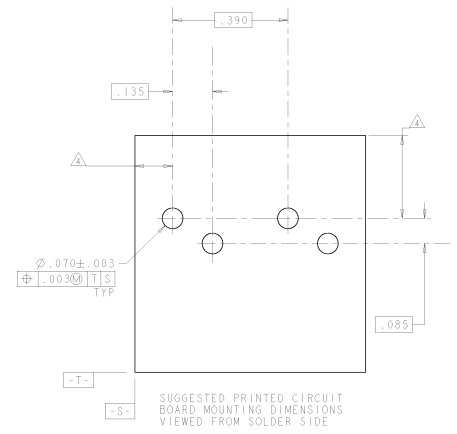


REV	DATE	REVISIONS	BY	CHK	APP
00					
B		REVISED PER EC 001C-0007-01	ELKANN	JA	TR
C		REVISED PER EC 0515-0458-02	ZUMBAK	BLO	BPW
D		REVISED PER EC 0515-0524-03	ZUMBAK	JB	CF



- △ MATERIAL: BASE - POLYESTER MOLDING COMPOUND, BLACK. WIRE STUFFER: - POLYESTER MOLDING COMPOUND, BLACK. TERMINAL - COPPER ALLOY, PLATED WITH 3.81µm MINIMUM THICK TIN OVER 1.27µm MINIMUM THICK NICKEL UNDERPLATE.
- △ EACH WIRE ENTRY HOLE ACCEPTS ONE UNSTRIPPED SOLID COPPER 22-26 AWG WIRE WITH WIRE INSULATION DIAMETER RANGE FROM .060 THROUGH .040. OTHER WIRE SIZES AND TYPES SHALL BE SUBMITTED TO AMP ENGINEERS FOR APPLICATION APPROVAL.
- 3. SOLDER TABS PROVIDED FOR PERMANENT BOARD MOUNTING.
- △ LOCATION OF HOLE PATTERN DETERMINED BASED ON CUSTOMER REQUIREMENTS.



1339313-1
PART NUMBER

UNLESS OTHERWISE SPECIFIED, DIMENSIONS ARE IN INCHES AND DECIMAL FRACTIONS THEREOF.		1339313-1 AMP AMP Incorporated Harrisburg, PA 17105-8800
DIMENSIONS IN INCHES 1/16" .0625" 1/8" .125" 1/4" .250" 3/8" .375" 1/2" .500" 5/8" .625" 3/4" .750" 7/8" .875" 1" 1.000"	FINISHES AND TOLERANCES DIMENSIONS IN MILLIMETERS .001" .0254" .002" .0508" .005" .127" .010" .254" .015" .381" .020" .508" .030" .762" .040" 1.016" .050" 1.270" .060" 1.524" .070" 1.778" .080" 2.032" .090" 2.286" .100" 2.540"	MATERIAL: ALUMINUM FINISH: ANODIZED COLOR: BLACK REFERENCE: SEE DRAWING WEIGHT: .00779 CASE FILE: C-1339313 CUSTOMER DRAWING: