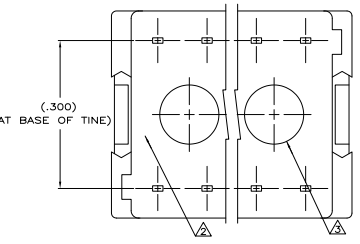
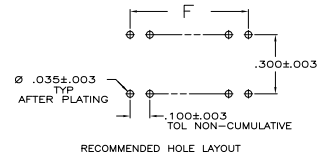
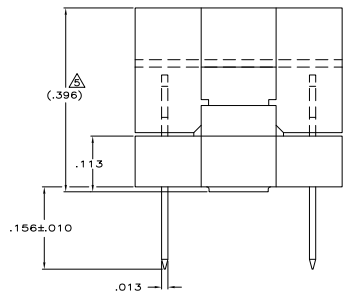
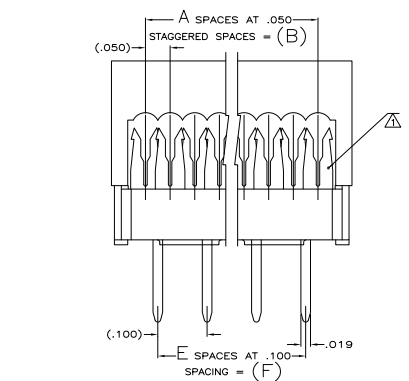
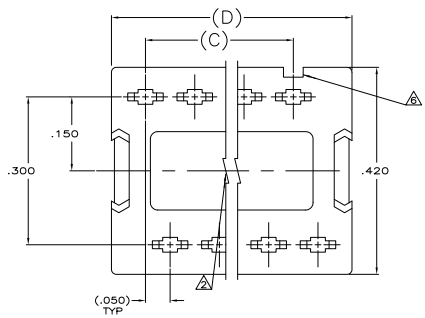


THIS DRAWING IS UNPUBLISHED
 ALL RIGHTS RESERVED

REV	DATE	DESCRIPTION	BY	CHK	APP
00					
B1		REVISED PER EDD-11-004835		11MR11	RK HMR



- △ CONTACTS DESIGNED FOR 28 AWG STRANDED OR 26, 28, & 30 AWG SOLID WIRE.
- △ AMP TRADEMARK LOCATED IN APPROX AREA SHOWN.
- △ STANDOFFS: POSN 8 (2) STANDOFFS AS SHOWN, POSN 14-20 (3) STANDOFFS, (1) CENTERED BETWEEN (2) SHOWN
- △ .00005 MIN GOLD ON RIBBON CABLE TERMINATION AREA
 .000100-.000200 MATTE TIN ON SOLDER TAILS, ALL OVER
 .000050 MIN NICKEL.
- △ HEIGHT AFTER TERMINATION IS (.253).
- △ INDICATES NO 1 POSITION.
- △ MOLDED PARTS: 94V-0 RATED THERMOPLASTIC, COLOR BLACK.
 CONTACTS: PHOS BRONZE

OBSOLETE	.900	9	1.088	.900	.950	19	20	5746613-5
OBSOLETE	.800	8	.988	.800	.850	17	18	-4
	.700	7	.888	.700	.750	15	16	-3
	.600	6	.788	.600	.650	13	14	-2
	.300	3	.488	.300	.350	7	8	5746613-1
	F	E	D	C	B	A		NO OF POSN

THIS DRAWING IS A CONTROLLED DOCUMENT. DATE: 11-28-94
 BY: BODKE 11-28-94
 CHECKED BY: WILMSLEY 11-28-94
 DRAWN BY: 108-40013
 REVISED BY: 114-40005
 DATE: 11-28-94
 DRAWING NO: 100779
 CUSTOMER DRAWING

TE Connectivity
 KIT, AMP-LATCH DIP PLUG, PREASSEMBLED .100 X .300 CENTERS.

REVISED TO: 1
 DATE: NTS
 BY: B1