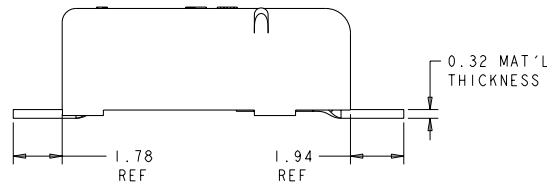
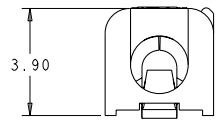
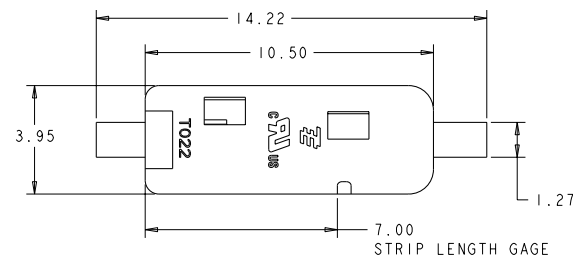
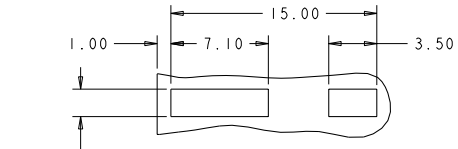


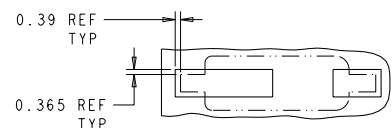
REV	DATE	BY	APPV
A1	11MAR2011	JK	HMA



2008683-1 &
1-2008683-1 SHOWN



RECOMMENDED PCB LAYOUT
SCALE 5:1



RECOMMENDED CONNECTOR PLACEMENT
SCALE 5:1

- △ MATERIALS AND FINISH:
 - HOUSING: LCP
 - CONTACTS: COPPER ALLOY, FINISH: TIN
- MUST COMPLY WITH DIRECTIVE 2002/95/EC (ROHS)
 - THIS PRODUCT HAS NOT COMPLETED VALIDATION TESTING
 - WIRE TYPES AND SIZES ACCEPTED
 18 AND 20 AWG SOLID WIRE
 18 AND 20 AWG PREBOND STRANDED WIRE
 18 AWG STRANDED WIRE (7, 9 AND 16 STRAND COUNT)
 MAX INSULATION OD: 2.10 MM (.083")
 STRIP LENGTH: 7.0±1.0 (.276")
 - PACKAGED IN TAPE AND REEL

2 POSN, THRU HOLE, BLACK	1-2008683-4
1 POSN, THRU HOLE, BLACK	1-2008683-3
2 POSN, SMT, BLACK	1-2008683-2
1 POSN, SMT, BLACK	1-2008683-1
2 POSN, THRU HOLE, NATURAL	2008683-4
1 POSN, THRU HOLE, NATURAL	2008683-3
2 POSN, SMT, NATURAL	2008683-2
1 POSN, SMT, NATURAL	2008683-1
DESCRIPTION	PART NUMBER

THIS DRAWING IS A CONTROLLED DOCUMENT. DWG: S. FISHER 07DEC2007
 CHK: S. HORST 07DEC2007
 APPV: -

TE Connectivity

CONNECTOR ASSEMBLY, POKE-IN, LOW INSERTION FORCE

DATE: 07DEC2007
 CASE CODE: A200779
 DRAWING NO: 2008683

SCALE: 1:1 SHEET 1 OF 6 REV: A1

4

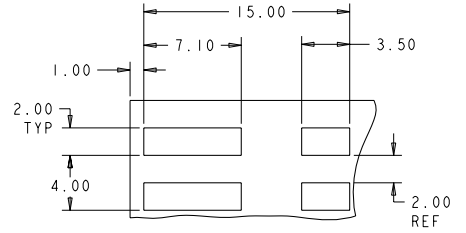
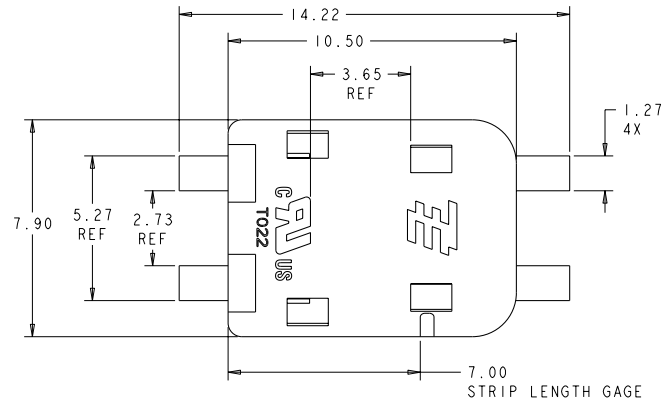
3

2

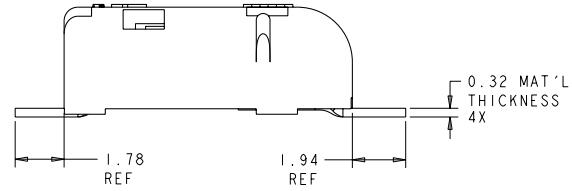
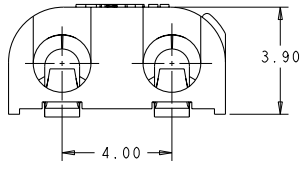
1

THIS DRAWING IS UNPUBLISHED. RELEASED FOR PUBLICATION. COPYRIGHT © BY ALL RIGHTS RESERVED.

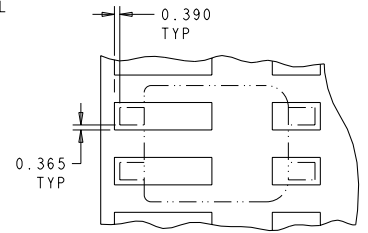
LOC	DISP	REV	DESCRIPTION	DATE	BY	APPR
-	-	1	SEE SHEET 1	-	-	-
-	-	2				
-	-	3				



RECOMMENDED PCB LAYOUT SCALE 5:1



2008683-2 & 1-2008683-2 SHOWN



RECOMMENDED CONNECTOR PLACEMENT SCALE 5:1

THIS DRAWING IS A CONTROLLED DOCUMENT.		DATE: 07DEC2007	TE Connectivity
DRAWN BY: S. FISHER		CD: 07DEC2007	
DIMENSIONS: mm		APPROVED BY: S. HORST	NAME:
TOLERANCES UNLESS OTHERWISE SPECIFIED:		PRODUCT SPEC:	CONNECTOR ASSEMBLY, POKE-IN, LOW INSERTION FORCE
0 PLC	±0.5	APPLICATION SPEC:	SHEET CASE CODE DRAWING NO. RESTRICTED TO
1 PLC	±0.10	WEIGHT:	A200779 ©-2008683
2 PLC	±0.1	CUSTOMER DRAWING	SCALE 1:1 SHEET 2 OF 6 REV A.1
3 PLC	±0.1		
4 PLC	±0.1		
ANGLES	±0.1°		
MATERIAL:			
FINISH:			

4

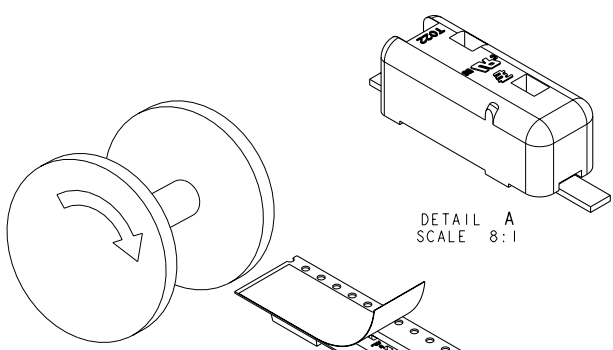
3

2

1

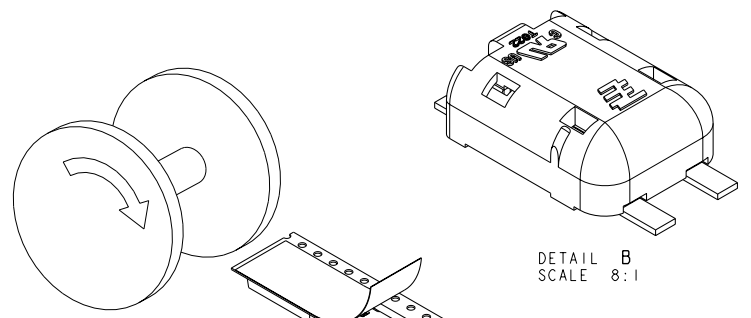
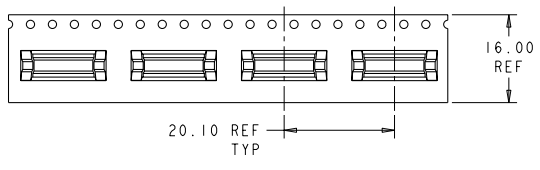
THIS DRAWING IS UNPUBLISHED. RELEASED FOR PUBLICATION. COPYRIGHT 20 BY - ALL RIGHTS RESERVED.

LOC		DIST		REVISIONS			
P	LYA	DESCRIPTION	DATE	OWN	APVS		
-	-	SEE SHEET 1	-	-	-		



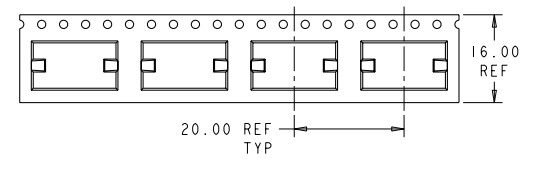
DETAIL A
SCALE 8:1

TAPE AND REEL PACKAGING DIAGRAM
FOR 1 POSITION SURFACE MOUNT CONNECTOR
SCALE 2:1



DETAIL B
SCALE 8:1

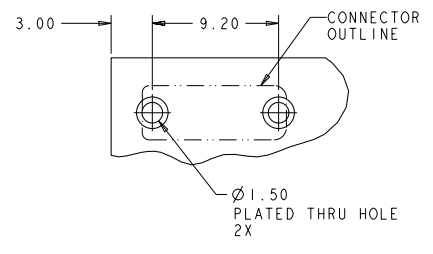
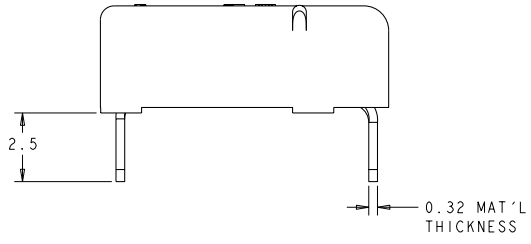
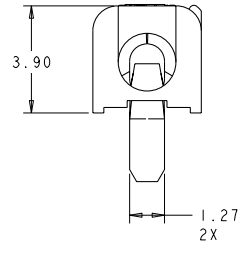
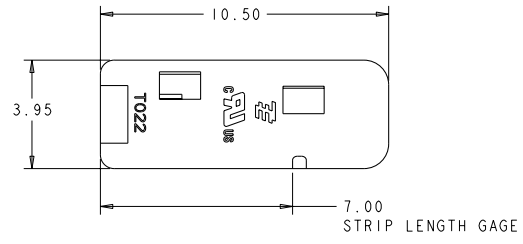
TAPE AND REEL PACKAGING DIAGRAM
FOR 2 POSITION SURFACE MOUNT CONNECTOR
SCALE 2:1



THIS DRAWING IS A CONTROLLED DOCUMENT.		OWN S. FISHER	07DEC2007		TE Connectivity	
DIMENSIONS: mm		CD S. HORST	07DEC2007		CONNECTOR ASSEMBLY, POKE-IN, LOW INSERTION FORCE	
TO DRAWING SPECIFICATIONS		APPD	NAME	RESTRICTED TO		
0 PLC ±0.5		PRODUCT SPEC		SITE CASE CODE DRAWING NO		
1 PLC ±0.5		APPLICATION SPEC		A200779 ©-2008683		
2 PLC ±0.10		WEIGHT		SCALE 1:1 SHEET 3 OF 6 REV A.1		
3 PLC ±0.10		CUSTOMER DRAWING				
4 PLC ±0.10						
ANGLES ±0°						
FINISH						

THIS DRAWING IS UNPUBLISHED. RELEASED FOR PUBLICATION. ALL RIGHTS RESERVED.

REVISIONS				
P	LY	DESCRIPTION	DATE	BY
-	-	SEE SHEET 1	-	-

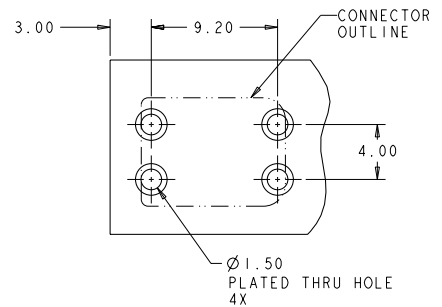
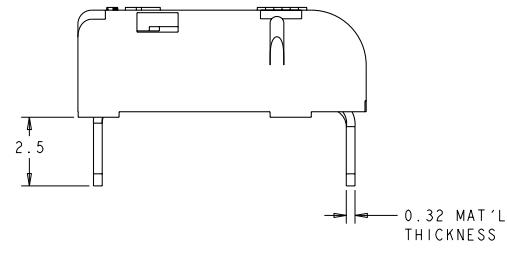
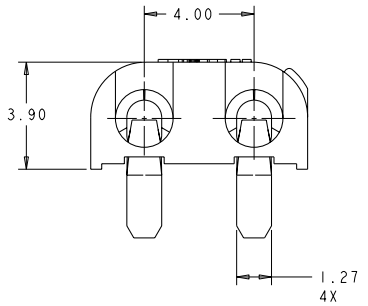
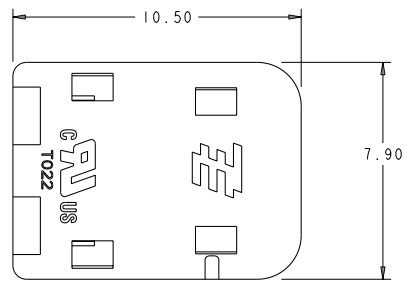


2008683-3 &
1-2008683-3 SHOWN

RECOMMENDED PCB LAYOUT
SCALE 5:1

THIS DRAWING IS A CONTROLLED DOCUMENT.		OWN: S. FISHER 07DEC2007	
DRAWN BY: S. HORST 07DEC2007		APP'D: S. HORST	
DIMENSIONS: mm	TO DIMENSIONS UNLESS OTHERWISE SPECIFIED:	PRODUCT SPEC	CONNECTOR ASSEMBLY, POKE-IN, LOW INSERTION FORCE
	0 PLC ±0 1 PLC ±0.2 2 PLC ±0.10 3 PLC ±0.15 4 PLC ±0.2 ANGLES ±0°	APPLICATION SPEC	
MATERIAL: -	FINISH: -	WEIGHT: -	RESTRICTED TO
CUSTOMER DRAWING		SHEET: A200779 CASE CODE: C-2008683 DRAWING NO: -	SCALE: 1:1 SHEET 4 OF 6 REV: A1

LOC		DIST		REVISIONS			
P	LYN	DESCRIPTION	DATE	OWN	APVS		
-	-	SEE SHEET 1	-	-	-		



RECOMMENDED PCB LAYOUT SCALE 5:1

2008683-4 & 1-2008683-4 SHOWN

THIS DRAWING IS A CONTROLLED DOCUMENT.		OWN S. FISHER	07DEC2007	TE Connectivity	CONNECTOR ASSEMBLY, POKE-IN, LOW INSERTION FORCE	RESTRICTED TO
DIMENSIONS: mm		APP'D S. HORST	07DEC2007			
TO DRAWING SPECIFICATIONS: 0 PLC ±0.2 1 PLC ±0.10 3 PLC ±0.1 4 PLC ±0.1 ANGLES ±°		PRODUCT SPEC				
MATERIAL		FINISH	WEIGHT	SHEET	CASE CODE	DRAWING NO.
-		-	-	A200779	C-2008683	2008683
		CUSTOMER DRAWING		SCALE	1:1	SHEET 5 OF 6
						REV A.1

4

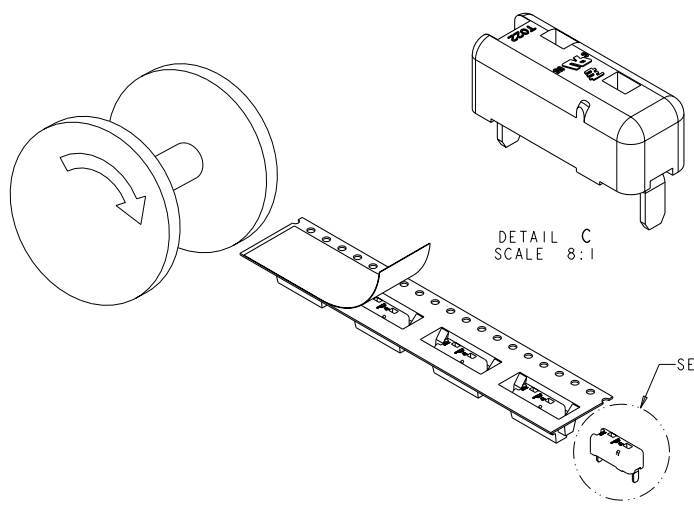
3

2

1

THIS DRAWING IS UNPUBLISHED. RELEASED FOR PUBLICATION. COPYRIGHT 20 BY ALL RIGHTS RESERVED.

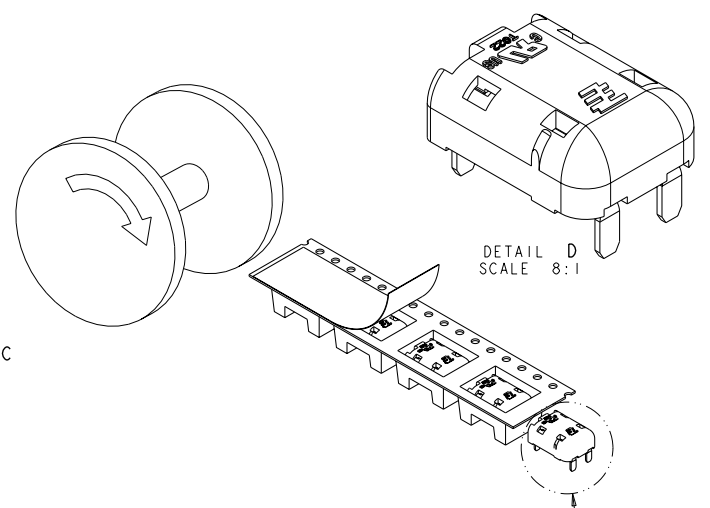
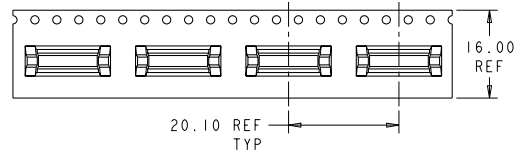
LOC		DIST		REVISIONS			
P	LY	DESCRIPTION	DATE	BY	APPR		
-	-	SEE SHEET 1	-	-	-	-	-



DETAIL C
SCALE 8:1

SEE DETAIL C

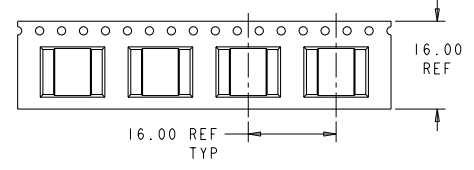
TAPE AND REEL PACKAGING DIAGRAM
FOR 1 POSITION THROUGH HOLE CONNECTOR
SCALE 2:1



DETAIL D
SCALE 8:1

SEE DETAIL D

TAPE AND REEL PACKAGING DIAGRAM
FOR 2 POSITION THROUGH HOLE CONNECTOR
SCALE 2:1



THIS DRAWING IS A CONTROLLED DOCUMENT.		OWN S. FISHER	07DEC2007		TE Connectivity
DRAWN BY S. HORST		APP'D S. HORST	07DEC2007		
DIMENSIONS: mm		TO DRAWING SPECIFICATIONS		NAME	
0 PLC ±0.2		PRODUCT SPEC		CONNECTOR ASSEMBLY, POKE-IN, LOW INSERTION FORCE	
1 PLC ±0.10		APPLICATION SPEC		SITE CASE CODE DRAWING NO	
2 PLC ±0.10		MATERIAL		A200779 ©-2008683	
3 PLC ±0.10		FINISH		RESTRICTED TO	
4 PLC ±0.10		WEIGHT		SCALE 1:1 SHEET 6 OF 6 REV A.1	
ANGLES ±0.5°		CUSTOMER DRAWING			