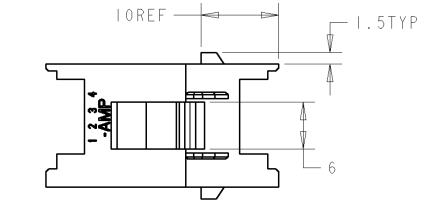
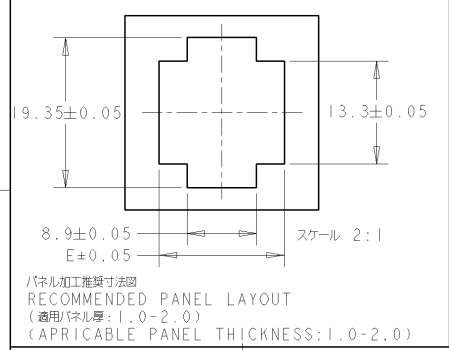


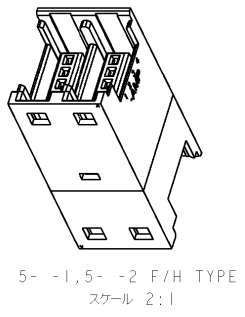
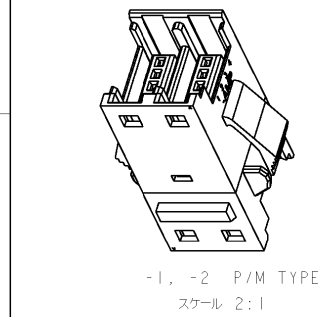
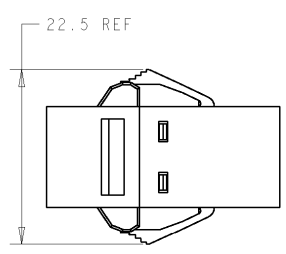
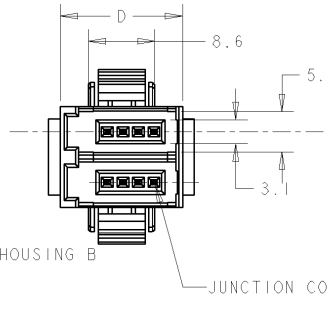
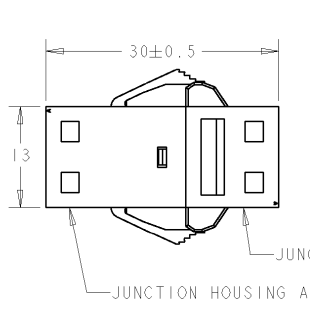
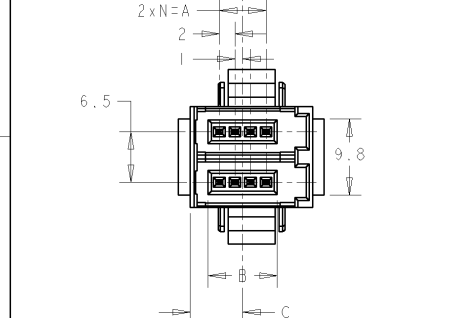
THIS DRAWING IS UNPUBLISHED. RELEASED FOR PUBLICATION
 © COPYRIGHT 20 BY TYCO ELECTRONICS CORPORATION. ALL RIGHTS RESERVED.

LOC	DIST	REVISIONS				
P	LTR	DESCRIPTION	DATE	DWN	APVD	
0		RELEASED FJ00-1726-01	10SEP2001	D.M	S.M	



注記
 1: 材料: ハウジング: ガラス入り熱可塑性ポリエチレン樹脂, 94V-0, 黒
 コンタクト: 銅合金
 2: メッキ: コンタクト: 全面Ni下地
 接点部: 0.2µm MIN 金メッキ
 3: 金属パネルの場合, コネクタ取付方向を/ピン加工方向にしてください。
 4: プラスチックパネルの場合, 穴縁部にR無し様ご配慮ください。
 NOTE
 1: MATERIAL: HOUSING: GLASS FILLED THERMPLASTIC, 94V-0, BLACK
 CONTACT: COPPER ALLOY
 2: FINISH: UNDERPLATE: Ni 1.27µm min.
 CONTACT AREA: Au 0.2µm min.
 3: INSERT CONN. FROM PRESS DIRECTION SIDE FOR METAL PANEL.
 4: EDGE OF THICKNESS WAY MUST NOT ROUND FOR MOLDED PANEL.

パネル加工推奨寸法図
 RECOMMENDED PANEL LAYOUT
 (適用パネル厚: 1.0-2.0)
 (APPLICABLE PANEL THICKNESS: 1.0-2.0)



F/H	16.1	15.8	6.75	8.9	6	3	4	5-1473574-4
F/H	14.1	13.8	5.75	6.9	4	2	3	5-1473574-3
P/M	16.1	15.8	6.75	8.9	6	3	4	1473574-4
P/M	14.1	13.8	5.75	6.9	4	2	3	1473574-3
TYPE	E	D	C	B	A	N	POS	P/N

DIMENSIONS: mm		TOLERANCES UNLESS OTHERWISE SPECIFIED:		DWN 10SEP2001 D. MITSUGI		AMP Tyco Electronics AMP K.K. Kawasaki, Japan	
0 PLC ± ±0.2		1 PLC ± ±0.2		CHR S MANABE 10SEP2001		NAME JUNCTION BOX (4D) FOR E-CON - RITS CONN. -	
2 PLC ± ±3°		3 PLC ± ±		APVD S MANABE 10SEP2001		SIZE A3	
4 PLC ± ±		ANGLES ± ±		PRODUCT SPEC 108-5765		CAGE CODE 00779	
MATERIAL -		FINISH -		APPLICATION SPEC -		DRAWING NO. G-1473574	
				RESTRICTED TO -		SCALE 2:1	
				WEIGHT -		SHEET 1 OF 1	
				CUSTOMER DRAWING		REV 0	