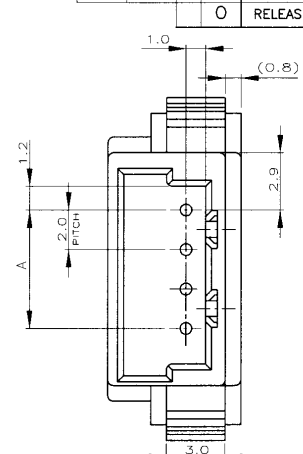
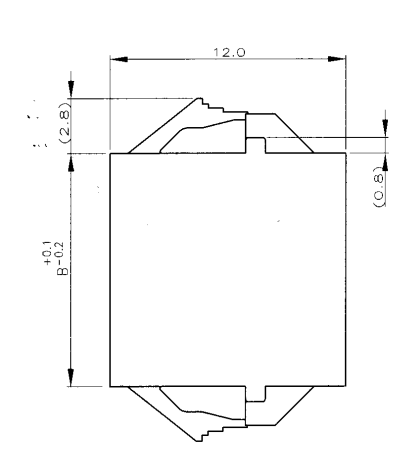
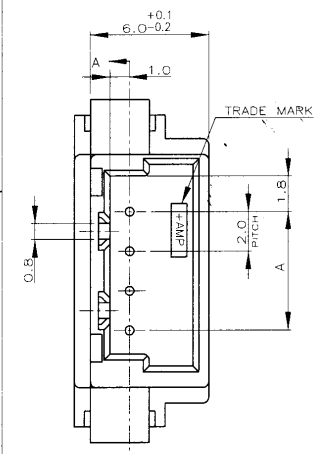
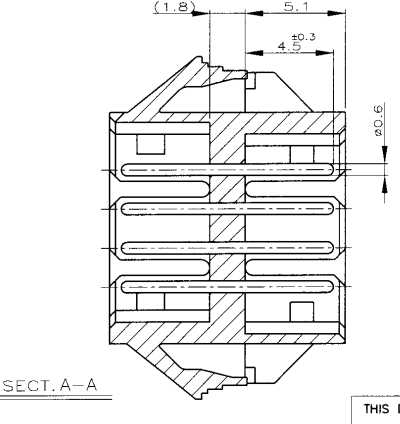
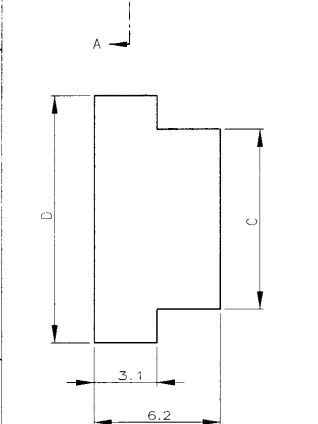
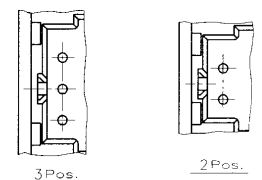


THIS DRAWING IS UNPUBLISHED. RELEASED FOR PUBLICATION
 © COPYRIGHT BY TYCO ELECTRONICS CORPORATION. ALL RIGHTS RESERVED.

LOC		DIST		REVISIONS			
P	LTR	DESCRIPTION	DATE	DWN	APVD		
0		RELEASED	FB00-0013-03	23JAN03	J.J	T.S	



NOTES:
 1. MATERIAL: HOUSING - 66 NYLON (UL94V-0)
 POST - TIN BRASS
 2. THE PANEL SHOULD BE PUNCHED SO THAT
 THE HOUSING ENTERS THE PANEL IN THE
 SAME DIRECTION AS PUNCH.



7-292254-5	5-292254-5	3-292254-5	1-292254-5	15	37.6	34.0	33.8	28.0				
7-	-4	5-	-4	3-	-4	1-	-4	14	35.6	32.0	31.8	26.0
7-	-3	5-	-3	3-	-3	1-	-3	13	33.6	30.0	29.8	24.0
7-	-2	5-	-2	3-	-2	1-	-2	12	31.6	28.0	27.8	22.0
7-	-1	5-	-1	3-	-1	1-	-1	11	29.6	26.0	25.8	20.0
7-	-0	5-	-0	3-	-0	1-	-0	10	27.6	24.0	23.8	18.0
6-	-9	4-	-9	2-	-9		-9	9	25.6	22.0	21.8	16.0
6-	-8	4-	-8	2-	-8		-8	8	23.6	20.0	19.8	14.0
6-	-7	4-	-7	2-	-7		-7	7	21.6	18.0	17.8	12.0
6-	-6	4-	-6	2-	-6		-6	6	19.6	16.0	15.8	10.0
6-	-5	4-	-5	2-	-5		-5	5	17.6	14.0	13.8	8.0
6-	-4	4-	-4	2-	-4		-4	4	15.6	12.0	11.8	6.0
6-	-3	4-	-3	2-	-3		-3	3	13.6	10.0	9.8	4.0
6-292254-2	4-292254-2	2-292254-2	292254-2	2	11.6	8.0	7.8	2.0				
BLACK	YELLOW	BLUE	NATURAL	Pos.	D	C	B	A				

PANEL CUTOUT DIMENSION (TOLERANCE:±0.1)
 (RECOMMENDED PANE THICKNESS:0.8mm ~ 1.6mm)

TOLERANCES UNLESS OTHERWISE SPECIFIED:
 10 > * : ±0.2
 30 > * >10 : ±0.25
 100 > * >30 : ±0.3
 ANGLE : ±3°

THIS DRAWING IS A CONTROLLED DOCUMENT.

DWG: S.XU	31JAN03	tyco Electronics	Tyco Electronics Corporation SHANGHAI, CHINA	
CHK: S.YAO	31JAN03		NAME: PANEL MOUNT TYPE RELAY POST HEADER ASS'Y (AMP CT CONNECTOR 2mm PITCH)	
APVD: T.SASAKI	31JAN03	PRODUCT SPEC	APPLICATION SPEC	WEIGHT
MATERIAL	FINISH	SIZE: A3	CAGE CODE: 00779	DRAWING NO: C=292254
SEE NOTE	SEE NOTE	CUSTOMER DRAWING	SCALE: 5:1	SHEET 1 OF 1

AMP 1470-19 REV 31MAR2000