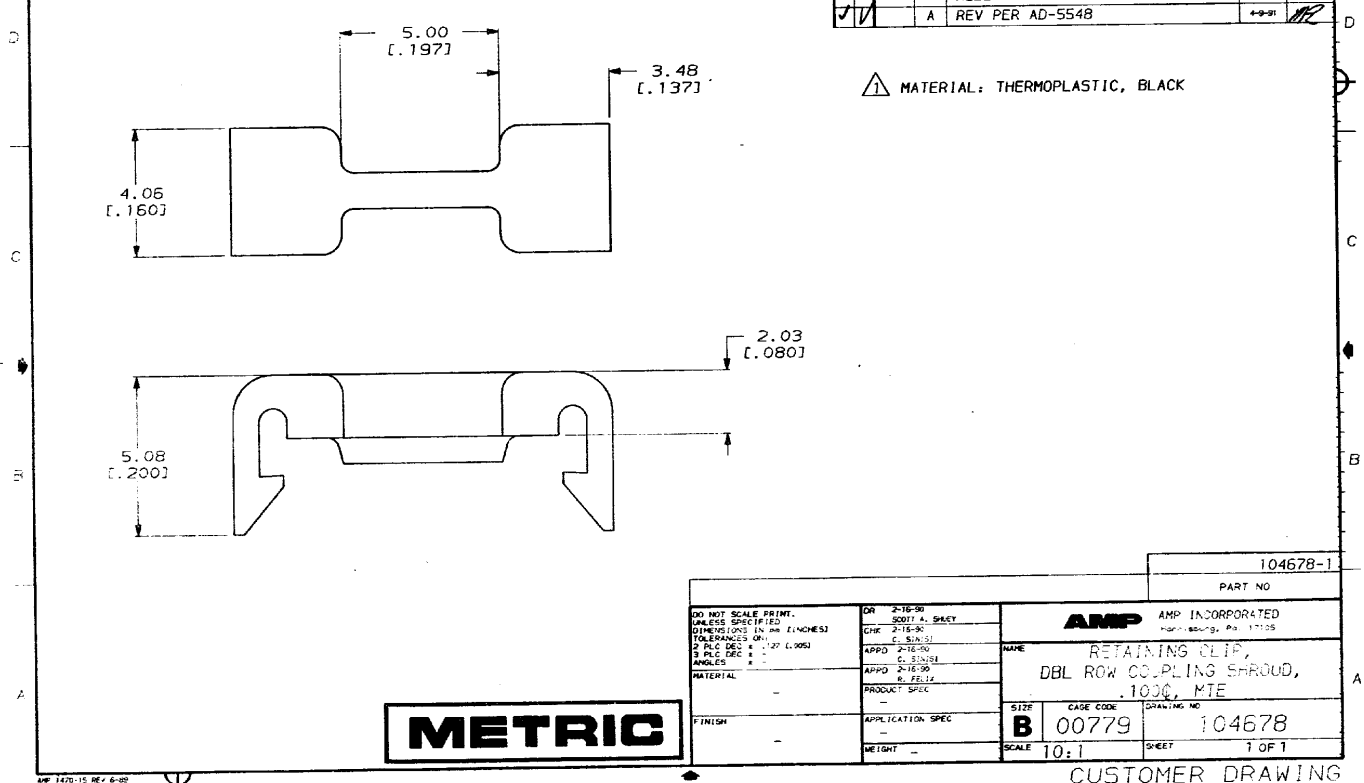


DRAWING MADE IN THIRD ANGLE PROJECTION  
 THIS DRAWING IS UNPUBLISHED. RELEASED FOR PUBLICATION  
 COPYRIGHT 19 BY AMP INCORPORATED. ALL INTERNATIONAL RIGHTS RESERVED.

MOO	LOC	DIST	P	F	ZONE	LTR	REVISIONS	DATE	APPO
34	AD	39					0 RELEASED	2-16-90	
							A REV PER AD-554B	4-9-91	



DO NOT SCALE PRINT, UNLESS SPECIFIED DIMENSIONS IN INCHES (INCHES)		OR 2-16-90 50001 & SHEET	AMP INCORPORATED	
TOLERANCES ON:		OR 2-16-90	AMP INCORPORATED	
2 PLS DEC 4 1/27 (.005)		C. SIN 51	104678-1	
3 PLS DEC 4 1/27 (.005)		APPD 2-16-90	PART NO	
ANGLES 4 1/27 (.005)		APPD 2-16-90	NAME	
		R. FELI	RETAINING CLIP,	
			DBL ROW COUPLING SHROUD,	
			.1000, MTE	
			SIZE	CASE CODE
			B	00779
			SCALE	DRAWING NO
			10:1	104678
				SHEET
				1 OF 1

AMP 1470-15 REV 6-89  
 25 APR 1991 09:14:06 AMP25023 10102601CFP1729AMP75023

CUSTOMER DRAWING