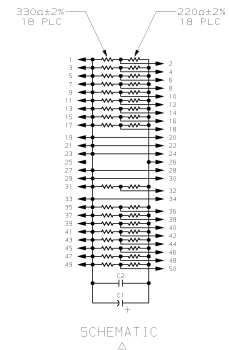
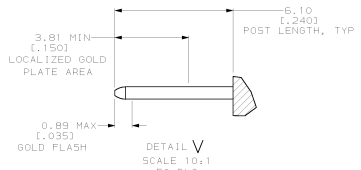
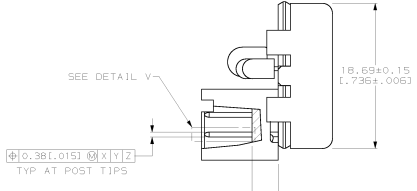
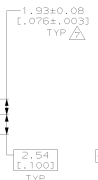
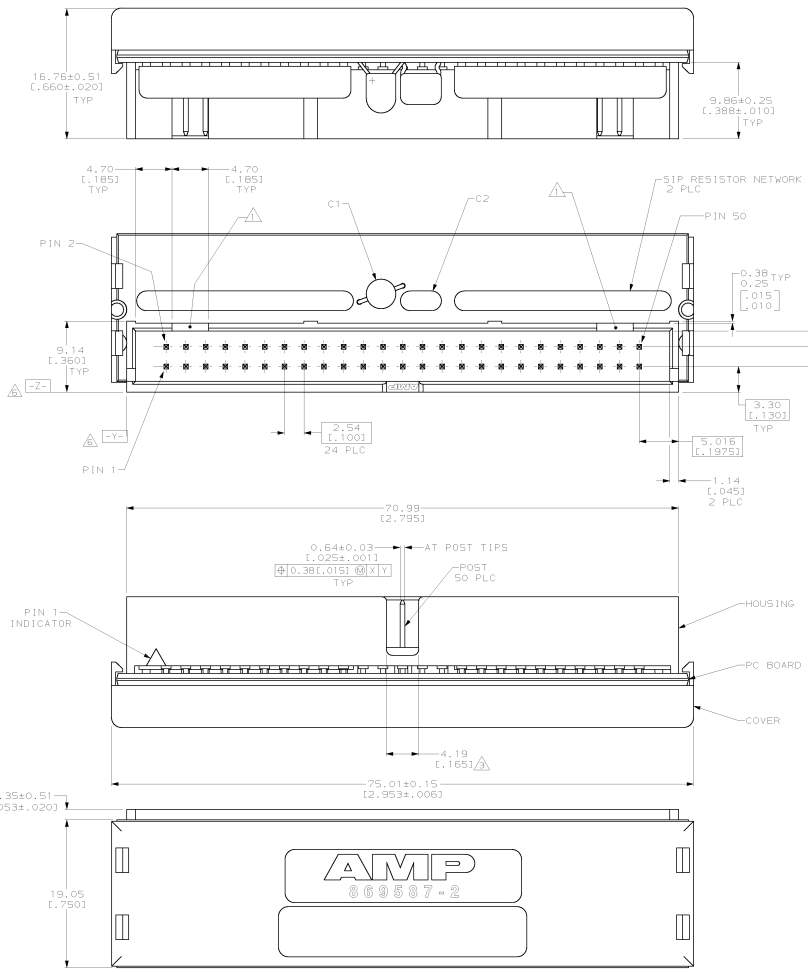


REVISED TO SPECIFICATIONS	REVISED FOR POLARIZATION
BY: [REDACTED]	BY: [REDACTED]

REV. NO.		REV. DATE		REV. BY		REV. FOR	
62	BD						
REV.	NO.	DATE	BY	FOR	DESCRIPTION	CHK.	APP.
0					RELEASE	DB	JV
A		0420-118-97					
B		0540-65-98					
C		0540-427-98					

- △ DOUBLE BAR POLARIZATION.
- RESISTORS: ±2% EACH, .125 WATTS, CAPACITORS ±10%; C1 = 2.2µF TANTALUM, 15VDC MIN, C2 = 0.01µF CERAMIC, 15VDC MIN.
- △ CENTER POLARIZATION SLOT.
- △ HOUSING: NYLON, BLACK; POST, PHOSPHOR BRONZE; COVER, POLYPROPYLENE, BLACK; PC BOARD, PLASTIC (GRADE FR-4) LAMINATED 1 OZ COPPER CLAD.
- △ POSTS: GOLD FLASH ON LOCALIZED GOLD PLATE AREA, 2.54µm(1.000100) MIN TIN-LEAD ON OPPOSITE END, ALL OVER 1.27µm(.000500) MIN NICKEL. DATUM Y AND Z APPLY ONLY IN ZONE 1.
- △ DIMENSION APPLIES AT THE INTERSECTION OF THE POST AND HOUSING.



869587-2
PROPOSAL NUMBER

HEAD ASSEMBLY, 50 POSITION, SINGLE ENDED, AMP-LATCH™ TERMINATOR		AMP Incorporated Horseshoe, PA 17105-8508	
TITLE: 869587-2 PART NO: A1100779 DATE: 05/19/98	REV: 001 DATE: 05/19/98	DRAWN BY: [REDACTED]	CHECKED BY: [REDACTED]