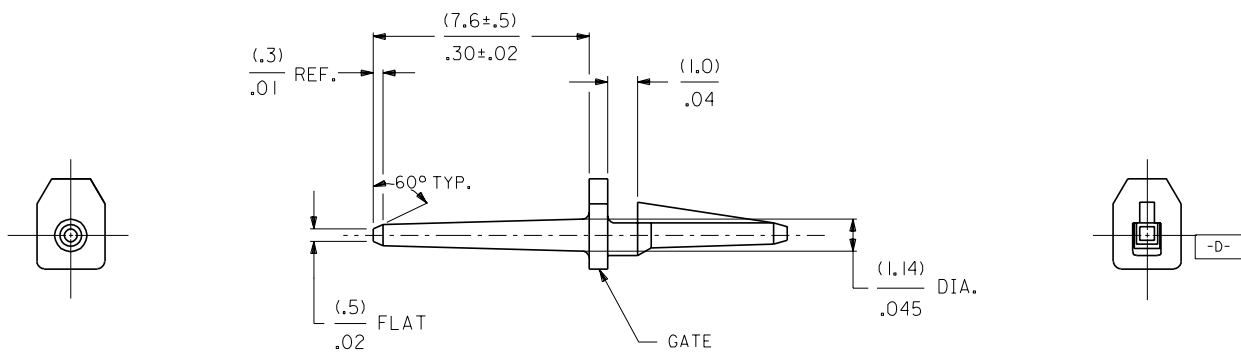


NOTES:

1. RECOMMENDED P.C. BOARD HOLE DIA. (.150)±.059 MIN.



4161-2
15-04-9210

| | | | |
|------|------------------|------|------------------|
| --- | SEE SHEET 1..... | --- | SEE SHEET 1..... |
| --- | SEE SHEET 1..... | --- | SEE SHEET 1..... |
| --- | SEE SHEET 1..... | --- | SEE SHEET 1..... |
| --- | SEE SHEET 1..... | --- | SEE SHEET 1..... |
| --- | SEE SHEET 1..... | --- | SEE SHEET 1..... |
| LTR. | REVISIONS | LTR. | REVISIONS |

| | |
|--|----------------------|
| DIMENSIONS SHOWN (METRIC) INCH | |
| UNLESS OTHERWISE SPECIFIED TOLERANCES: ANGULAR $\pm 1/2^\circ$ | |
| | INCH METRIC |
| 3 PLACE | $\pm .010$ --- |
| 2 PLACE | $\pm .014$ $\pm .25$ |
| 1 PLACE | --- $\pm .36$ |
| DRAFT WHERE APPLICABLE MUST REMAIN WITHIN DIMENSIONS | |
| DRWG. BY: GUZIK | CHK'D. BY: PATEL |
| APP'D. BY: LENZ | SCALE: : |

| | |
|--|--|
| REVISE ONLY ON CAD SYSTEM | |
| TITLE: (POLARIZING PEG) FOR KK (2,54)±.100 | |
| MOLEX INCORPORATED LITTLE ROCK, AR 60532 U.S.A. | SHEET NO. 2 DATE 10/16/87 |
| PART NO. SD-4161 | DRWG. NO. KK B |
| FILE NAME: S4161X2 | THIS DRAWING CONTAINS INFORMATION THAT IS PROPRIETARY TO MOLEX INC. AND SHOULD NOT BE USED WITHOUT WRITTEN PERMISSION. |