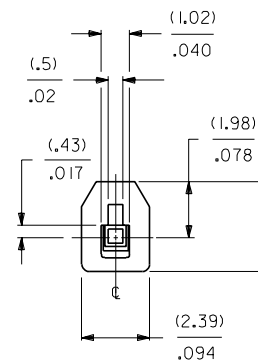
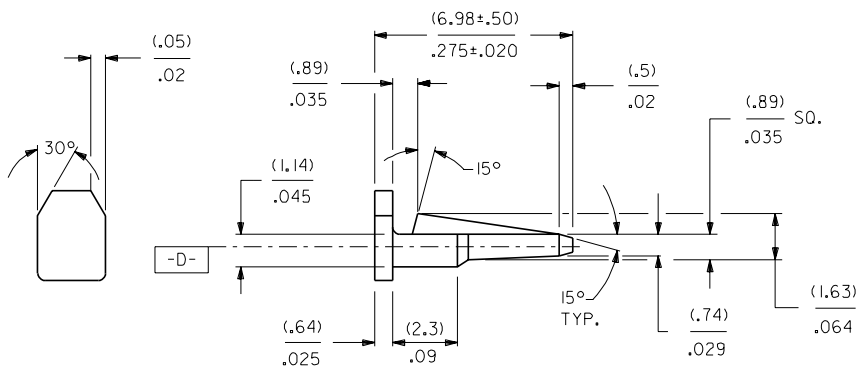


NOTES:

1. PARTS TO BE SUPPLIED AS LOOSE PIECES.
2. MATERIAL: POLYESTER 94V-0, NATURAL COLOR.



4161-1  
15-04-9209

M	1	M	L	2	L	L
MFG. SH. REV. LTR.			REVISIONS			
MATERIAL WAS NYLON... ECR U9066 8-14-89 A.GUZIK						
REDRAW ON CAD... ECR 10301 10-16-87 A.GUZIK						

DIMENSIONS SHOWN (METRIC) INCH		TITLE	
UNLESS OTHERWISE SPECIFIED TOLERANCES: ANGULAR ± 1/2°		POLARIZING KEY	
FOR KK (2,54) ± .100		MOLEX INCORPORATED	
DRAFT WHERE APPLICABLE MUST REMAIN WITHIN DIMENSIONS		SHEET NO. DATE	
DRWG. BY: GUZIK		U.S.A. 10/2/87	
CHK'D. BY: PATEL		PART NO. SD-4161	
APP'D. BY: LENZ		FILE NAME: S4161X1	
SCALE: --:--		THIS DRAWING CONTAINS INFORMATION THAT IS PROPRIETARY TO MOLEX INC. AND SHOULD NOT BE USED WITHOUT WRITTEN PERMISSION.	
		DIV. SIZE: KK B	