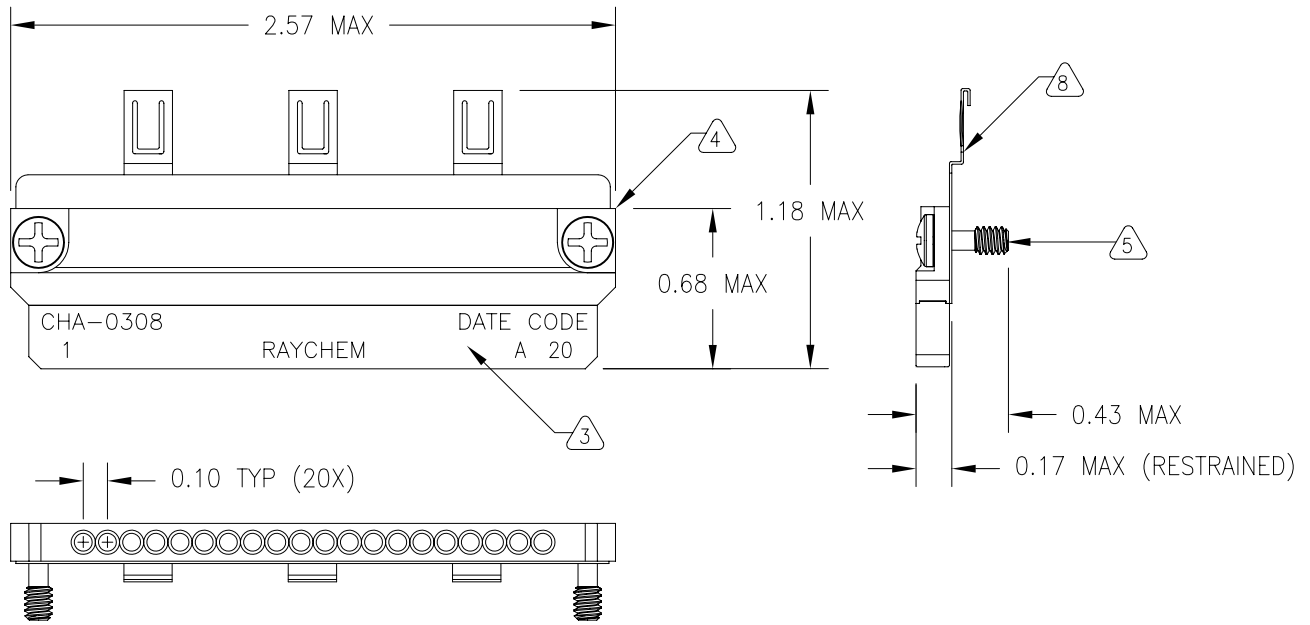


REVISION		
REV	DESCRIPTION	DATE
C	REVISED PER DCR C041090	11OCT2004



Notes:

1. Application: Electroless Nickel MTC SH2 Plug Shells
2. For Use With MIL-C 39029/58-360, Size 22 Contacts
3. End Cap: Glass Filled Nylon, Flame Retardant, Black
4. Main Body: Aluminum, Electroless Nickel Plated
5. Screws: 4-40 Phillips Head, A-286 CRES, Passivated, Captive, Self-Locking
6. Electrical Contacts: Brass / Beryllium Copper, Gold Plated
7. Markings: High Contrast Ink
8. Bus Bar, Beryllium Copper, Electroless Nickel Plated
9. Meets Raychem Specification C-6114 Requirements
10. Contact Cavity Bore Dia, Plated: .0685/0690 (REF)

© 2004 TYCO ELECTRONICS CORPORATION. ALL RIGHTS RESERVED.

SPECIFICATION CONTROL DRAWING

UNLESS OTHERWISE SPECIFIED DIMENSIONS ARE INCHES. METRIC DIMENSIONS ARE IN BRACKETS.	DRAWN T RATZLAFF	DATE 26MAR2004	tyco Electronics	TYCO ELECTRONICS 300 CONSTITUTION DRIVE MENLO PARK, CA 94025	Raychem
	MATERIAL SEE NOTES	FINISH SEE NOTES			
DECIMAL TOLERANCES .XXX ± 0.005 [0.13 mm] .XX ± 0.010 [0.25 mm] .X ± 0.020 [0.50 mm]	THIRD ANGLE PROJECTION		SIZE A	CAGE CODE 06090	DWG. NO. CHA-0308
ANGLE TOLERANCE .X ± 0.5 DEG.	DO NOT SCALE THIS DRAWING		SHEET 1 OF 1		
WEIGHT (NOM) LBS. 0.0216 [9.8 gm]	CAD FILE C041090.DWG				