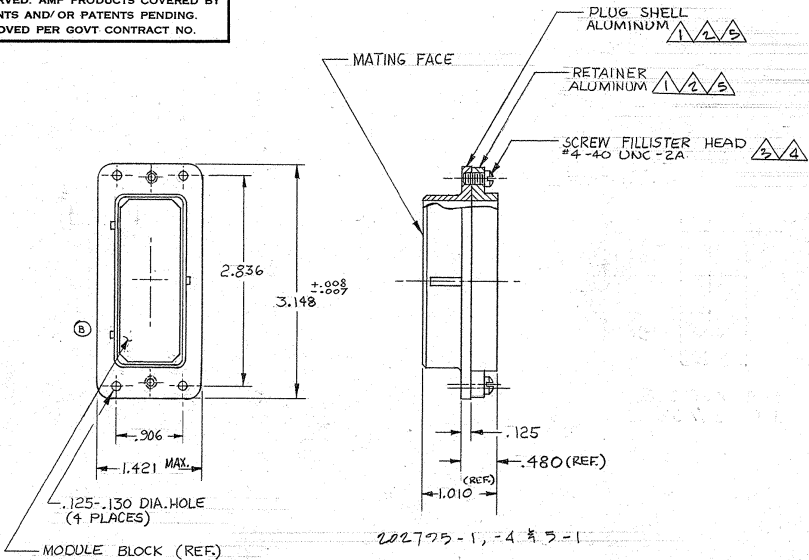
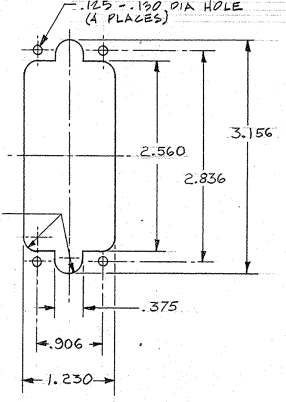


© 1965 BY AMP INCORPORATED. ALL RIGHTS RESERVED. AMP PRODUCTS COVERED BY PATENTS AND/OR PATENTS PENDING. APPROVED PER GOVT CONTRACT NO.

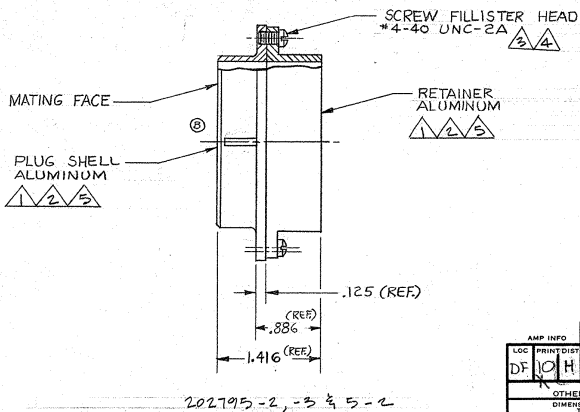


REVISIONS				
SYM	ZONE	DESCRIPTION	DATE	APPROVAL
A		REVISED	7-68	1-19-66 MS, ZH
B		REVISED	7-296	3-22-66 MS, ZH
C		REV PER ECN D-644		10-27-66 EFC, ZH
D		ADDED -3 PER ECN H-873		11-5-66 MPH, g, mgl
E		REV. / ECN R-2305		7-20-68 MPH, g, mgl
F		OBSOLETE -3 PER ECN R-2604		2-23-67 SW, 1/13
F1		ADDED -4 PER ECN DF-0326	OCT	10-2-67 JW
G		REV PER ELO-05-001A12	NA	08/05 OR
H		REV PER ECO-05-005359		11/05 PT/DE



PANEL CUTOUT SCALE: 1-1

- ① ZINC PLATE PER ASTM-B-633 TYPE II .00020-.00040 THK CLASS 3 COLORLESS SUPPLEMENTARY CHROMATE.
- ② ELECTROLESS NICKEL PLATE PER SAE-AAS-C-2607A .00040-.00080 THK (NO INTENTIONAL DIMENSIONS OF LEAD OR CADMIUM PER SPEC STANDARD 230-700).
- ③ ZINC PLATED COLD ROLLED STEEL.
- ④ PASSIVATED STAINLESS STEEL.
- ⑤ CADMIUM PLATE PER QQ-P-416 .000100-.000400 THK.



5-202795-2	FOR PINS	② ④	
5-202795-1	FOR SOCKETS	② ④	
202795-4	FOR SOCKETS	② ④	
202795-3	FOR PINS	② ④	OBSOLETE
202795-2	FOR PINS	② ④	SUPERSEDED BY 5-202795-2
202795-1	FOR SOCKETS	② ④	SUPERSEDED BY 5-202795-1
PART NO.	ASSY TYPE	FINISH	

AMP INFO	QTY REQD	NOMENCLATURE OR DESCRIPTION	PART OR IDENTIFYING NO
DF 10 H			
LIST OF MATERIALS OR PARTS LIST			
UNLESS SPECIFIED DIMENSIONS ARE IN INCHES TOLERANCES ON FRACTIONS = ± .015 DECIMALS = ± .005 ANGLES = ± .1		SIGNATURE DATE	
MATERIAL		DR. E. Remington 10/2/65	
SEE CALL OUT		CHK. J. Schiele 11/1/65	
HEAT TREAT		DESIGN ENGR. J. Williams 1/9/68	
FINISH		APP. P. B. Miller 11-2-65	
SEE CALL OUT		DESIGN APPD.	
		OTHER APPD.	
		NAME AMP INCORPORATED HARRISBURG, PENNSYLVANIA	
		PLUG ASSEMBLY, MODULE SERIES "G" (3 BLOCKS)	
		CODE IDENT NO 00779 SIZE D NUMBER 202795	
		SCALE 1-1 WT CALC ACTUAL SHEET	

CUSTOMER DRAWING