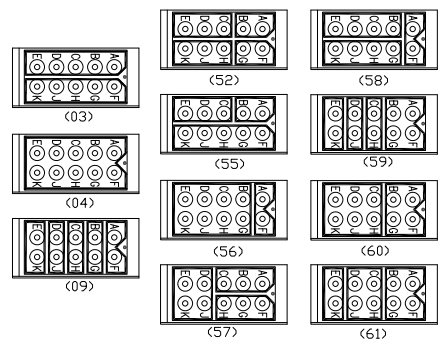
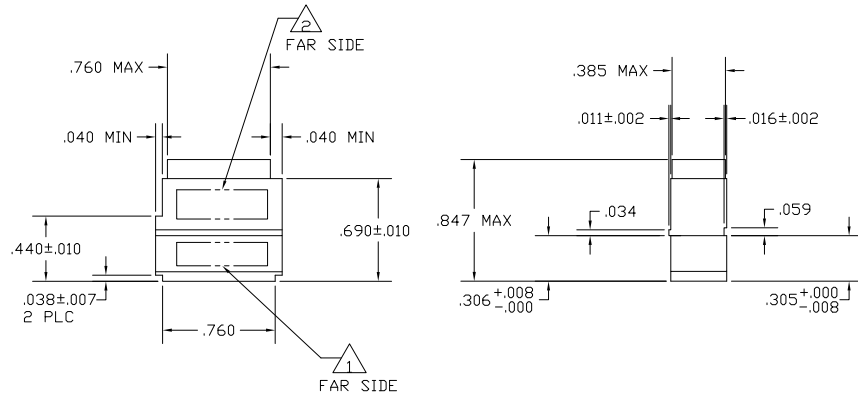
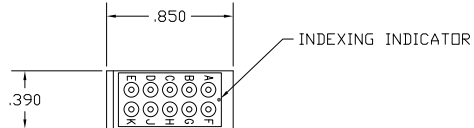


DRAWING MADE IN THIRD ANGLE PROJECTION
 THIS DRAWING IS UNPUBLISHED. RELEASED FOR PUBLICATION, 19
 © COPYRIGHT 19 BY ALL INTERNATIONAL RIGHTS RESERVED

LDC DF AD

REVISIONS						
P	F	ZONE	LTR	DESCRIPTION	DATE	APPROVED
		A1		REVISED PER ECD-11-005030	21MAR11	HMR

DESCRIPTION	MATERIAL	FINISH
MODULE ASSEMBLY	EPOXY EPIALL 1908-B, 703381-1 OR E-484, 703510-1 OR FIBERITE E-8354, 18756-1	COLOR: BLACK
GROMMET	FLUORSILICONE BLEND	COLOR: BLUE
CONTACT SOCKET	BERYLLIUM COPPER ASTM-B194	GOLD PLATE PER MIL-G-45204
RETAINING CLIP	BERYLLIUM COPPER ASTM-B194 OR STAINLESS STEEL PER QQ-S-766	NONE
CONTACTS	COPPER ALLOY PER MIL-C-39029/1	GOLD PLATE PER MIL-G-45204
SEALING PLUGS	F.E.P. PER MIL-P-19468	COLOR: RED



BUSSING ARRANGEMENTS Δ 3

- Δ 4 CONTACTS AND SEALING PLUGS ARE PACKAGED SEPARATELY WHEN REQUIRED.
- Δ 3 BUSSING ARRANGEMENT OUTLINE DENOTES INTERNAL ARRANGEMENT OF SOCKET CONTACTS.
- Δ 2 MARK MODULE ASSEMBLY WITH CUSTOMER PART NO., MILITARY PART NO. IF REQUIRED .060 MINIMUM HIGH CHARACTERS AT APPROXIMATE AREA SHOWN.
- Δ 1 MARK MODULE ASSEMBLY WITH "AMP", PART NO. AND DATE CODE .060 MINIMUM HIGH CHARACTERS AT APPROXIMATE AREA SHOWN.

DO NOT SCALE PRINT. UNLESS OTHERWISE SPECIFIED DIMENSIONS ARE IN INCHES. TOLERANCES UN: 2 PLC DEC ± --- 3 PLC DEC ± .005 ANGLES ± ---		CONTRACT NO DR T. THOMPSON 06-24-94 CHK J. HARMAN 7-7-94 APPD J. HARMAN 7-7-94 APPD S. WRIGHT 7-7-94		PART NO	
MATERIAL		DSGN APPD		TE Connectivity NAME MODULE, FEED-BACK SIZE 20 ASSEMBLY TJ	
FINISH		OTHER APPD		SIZE C	FSCM NO 00779
				DRAWING NO 592624	SHEET 1 OF 2
				SCALE 2:1	

AMP 1471-6 REV 2-81


CUSTOMER DRAWING

DRAWING MADE IN THIRD ANGLE PROJECTION
 THIS DRAWING IS UNPUBLISHED. RELEASED FOR PUBLICATION, 19
 © COPYRIGHT 19 BY ALL INTERNATIONAL RIGHTS RESERVED

REVISIONS						
P	F	ZONE	LTR	DESCRIPTION	DATE	APPROVED
				--- SEE SHEET ONE ---		

M81714/2-DC2						X				X	X	2-592624-2
	X											2-592624-1
	X								X	X		2-592624-0
		X										1-592624-9
M81714/2-DB3		X							X	X		1-592624-8
		X										1-592624-7
		X							X	X		1-592624-6
			X									1-592624-5
			X						X	X		1-592624-4
				X								1-592624-3
M81714/2-DC1				X					X	X		1-592624-2
				X								1-592624-1
M81714/2-DB2				X					X	X		1-592624-0
				X								592624-9
				X								592624-8
M81714/2-DD1					X				X	X		592624-7
					X							592624-6
M81714/2-DE1						X			X	X		592624-5
						X						592624-4
M81714/2-DA1							X		X	X		592624-3
							X					592624-2
M81714/2-DB1								X	X	X		592624-1

MARKING △	6160595957565552090403	BUSSING ARRANGEMENTS	SEALING PLUG QTY 2 △	CONTACTS QTY 11 △	PART NO.
--------------	------------------------	-------------------------	----------------------------	----------------------	----------

DO NOT SCALE PRINT. UNLESS OTHERWISE SPECIFIED DIMENSIONS ARE IN INCHES. TOLERANCES UN: 2 PLC DEC ± 3 PLC DEC ± ANGLES ±	CONTRACT NO	 TE Connectivity			
	DR T. THOMPSON 06-24-94				
	MATERIAL	CHK J. HARMAN 7-7-94	NAME MODULE, FEED-BACK SIZE 20 ASSEMBLY TJ		
	FINISH	APPD J. HARMAN 7-7-94 APPD S. WRIGHT 7-7-94	DSGN APPD OTHER APPD	SIZE C SCALE 1 : 1	FSCM NO 00779 SHEET 2 OF 2

CUSTOMER DRAWING