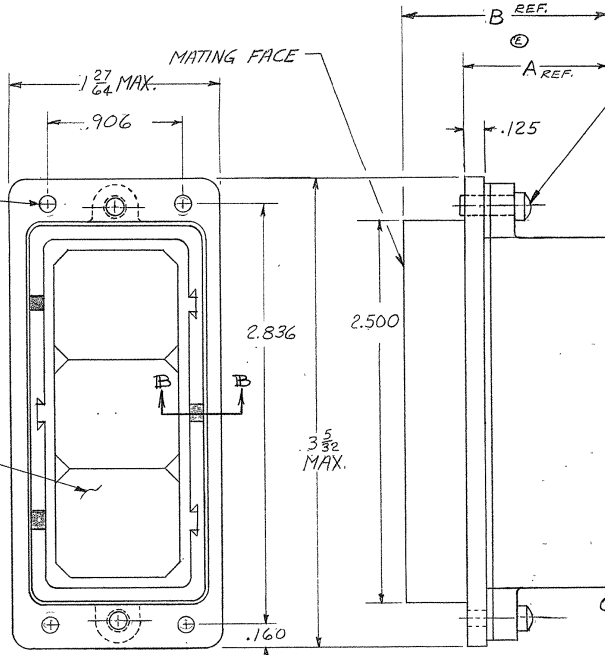
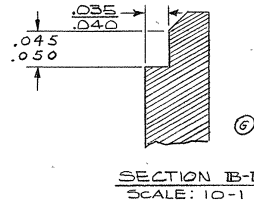


© 1963 BY AMP INCORPORATED. ALL RIGHTS RESERVED. AMP PRODUCTS COVERED BY PATENTS AND/OR PATENTS PENDING.

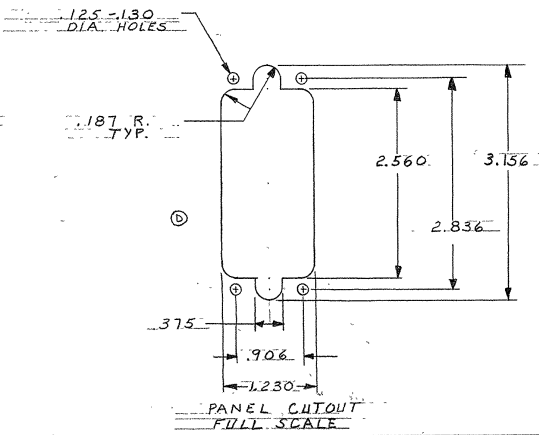
REVISIONS				
SYM	ZONE	DESCRIPTION	DATE	APPROVAL
N		REV PER ECO-09-021304	PY 10-09	DE



PHILIPS HEAD SCREWS FOR -1 AND 5--1 ONLY  
SLOTTED FILLISTER HEAD SCREWS FOR -2,-3,-4,  
5--3 AND 5--4



ASSY. NO	A	B	FINISH
202287-1 SUPERSEDED BY 5--1	1.001	1.509	ZINC PLATE PER ASTM-B-639 TYPE II CLASS 3 COLORLESS SUPPLEMENTARY CHROMATE
202287-2	1.001	1.509	OLIVE DRAB ZINC PLATE PER ASTM-B-639 CLASS 3 TYPE II
202287-3 SUPERSEDED BY 5--3	1.001	1.509	FINISH SAME AS -1
202287-4 SUPERSEDED BY 5--4	.595	1.103	FINISH SAME AS -1
5-202287-1	1.001	1.509	FINISH: PLATED ELECTROLESS NICKEL PER SAE AMS-C-2607A .000400-.000800 THK (NO INTENTIONAL ADDITIONS OF LEAD OR CADMIUM PER DFE STD 230-700)
5-202287-3	1.001	1.509	FINISH: PLATED ELECTROLESS NICKEL PER SAE AMS-C-2607A .000400-.000800 THK (NO INTENTIONAL ADDITIONS OF LEAD OR CADMIUM PER DFE STD 230-700)
5-202287-4	.595	1.103	FINISH: PLATED ELECTROLESS NICKEL PER SAE AMS-C-2607A .000400-.000800 THK (NO INTENTIONAL ADDITIONS OF LEAD OR CADMIUM PER DFE STD 230-700)



AMP INFO LOC DF PRINT M DIST E	QTY RECD	NOMENCLATURE OR DESCRIPTION	PART OR IDENTIFYING NO	
LIST OF MATERIALS OR PARTS LIST				
UNLESS OTHERWISE SPECIFIED DIMENSIONS ARE IN INCHES FRACTIONS TOLERANCES ON DECIMALS ANGLES ± 1/64 ± .015 ± #		SIGNATURE	DATE	AMP TRADEMARK
MATERIAL SHELL-DIE CAST ALUMINUM		OR [Signature]	2-25-68	AMP INCORPORATED HARRISBURG, PENNSYLVANIA
HEAT TREAT		ENGR [Signature]	9-11-63	
FINISH SEE TABLE		DRGN APPR [Signature]	3-1-63	
		DRGN APPR [Signature]	7-1-63	
		OTHER APPR		
CODE IDENT NO- 00779	SIZE- C	NUMBER- 202287	REV N	
SCALE 2-1	WT	CALC	ACTUAL	SHEET 1 OF 1

CUSTOMER DRAWING