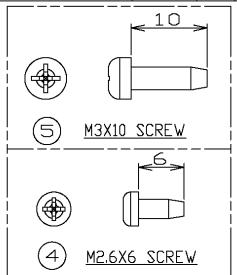
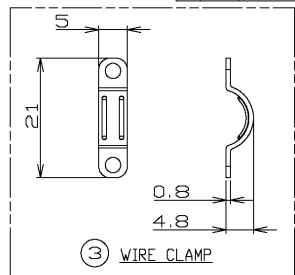
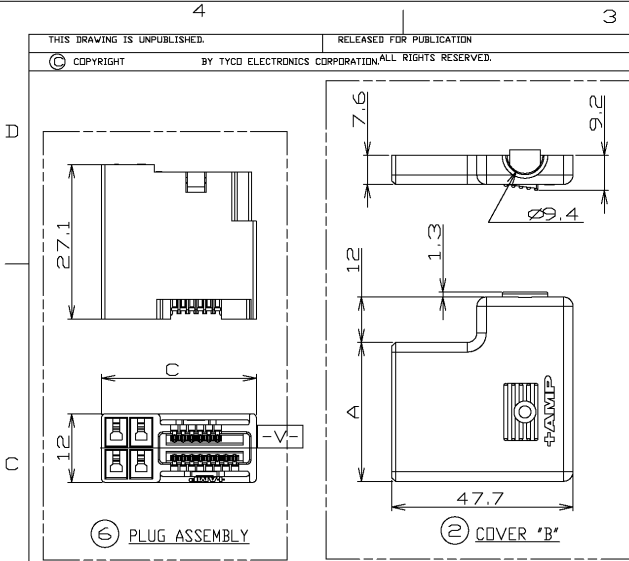
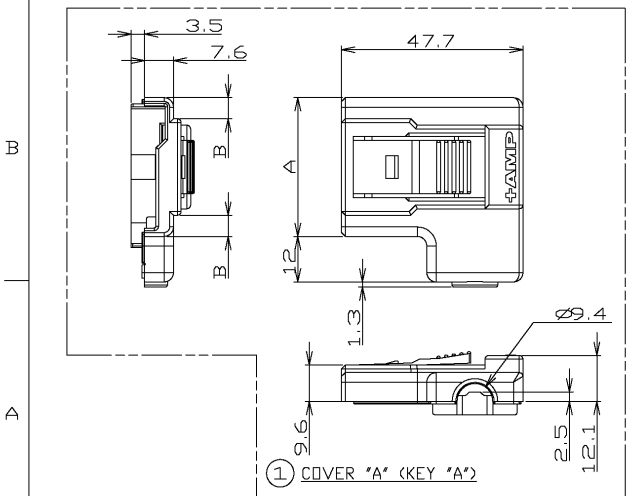


THIS DRAWING IS UNPUBLISHED. RELEASED FOR PUBLICATION  
 COPYRIGHT BY TYCO ELECTRONICS CORPORATION. ALL RIGHTS RESERVED.

LOC	DIST	REVISIONS			
P	LTR	DESCRIPTION	DATE	DWN	APVD
ES	00	REVISED FB00-0217-04	16DEC04	H.H	I.E



NOTES: THIS IS LEAD-FREE P/N.



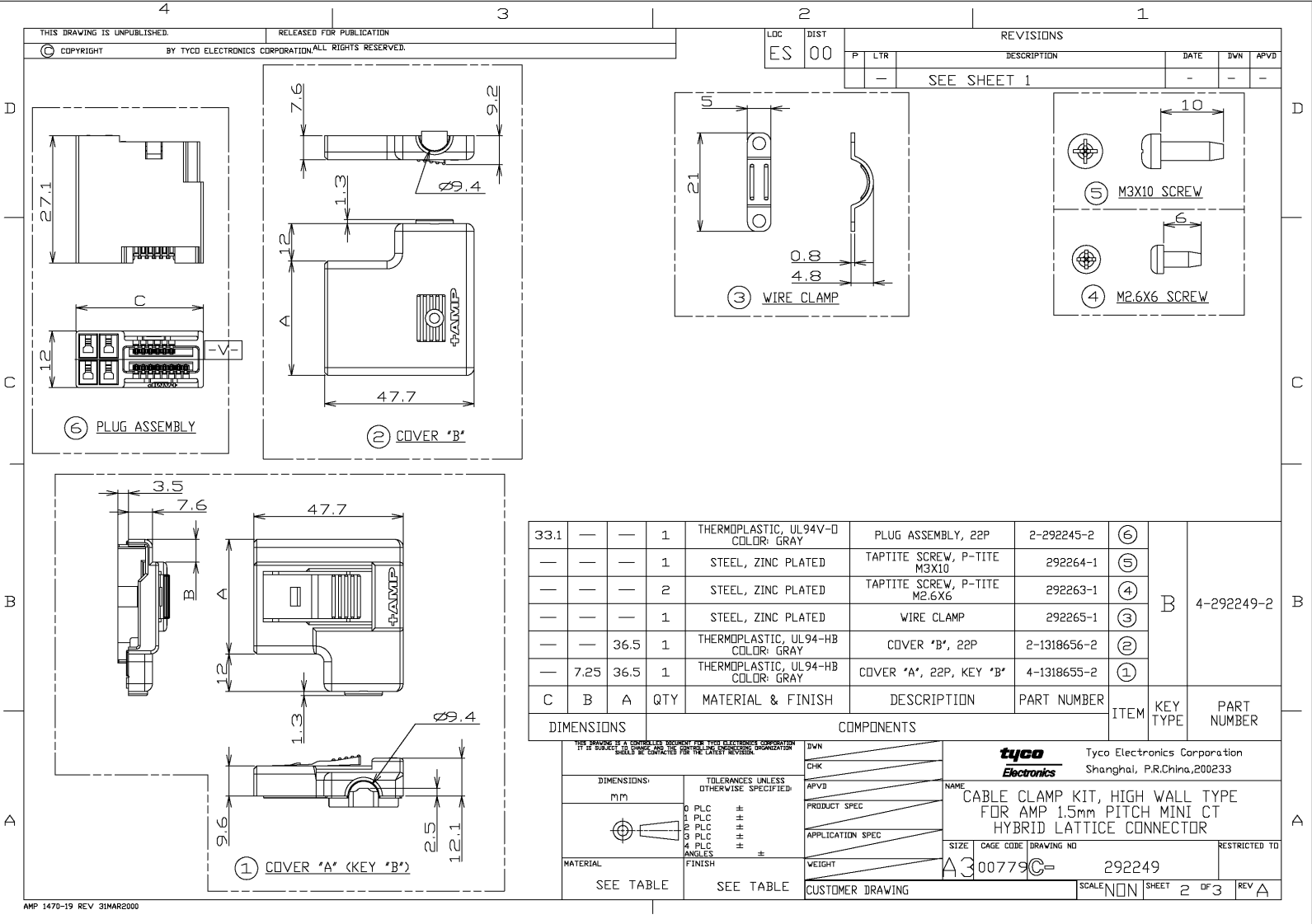
QTY	MATERIAL & FINISH	DESCRIPTION	PART NUMBER	ITEM	KEY TYPE	PART NUMBER
33.1	— — 1	THERMOPLASTIC, UL94V-0 COLOR: GRAY	PLUG ASSEMBLY, 22P	2-292245-2	⑥	A 2-292249-2
—	— — 1	STEEL, ZINC PLATED	TAPTITE SCREW, P-TITE M3X10	292264-1	⑤	
—	— — 2	STEEL, ZINC PLATED	TAPTITE SCREW, P-TITE M2.6X6	292263-1	④	
—	— — 1	STEEL, ZINC PLATED	WIRE CLAMP	292265-1	③	
—	— 36.5 1	THERMOPLASTIC, UL94-HB COLOR: GRAY	COVER 'B', 22P	2-1318656-2	②	
—	5.55 36.5 1	THERMOPLASTIC, UL94-HB COLOR: GRAY	COVER 'A', 22P, KEY 'A'	2-1318655-2	①	

DIMENSIONS		TOLERANCES UNLESS OTHERWISE SPECIFIED		MATERIAL		FINISH		WEIGHT		CUSTOMER DRAWING	
0	PLC	#									
1	PLC	#									
2	PLC	#									
3	PLC	#									
4	PLC	#									
#	ANGLES	#									

DIVN	05FEB03		Tyco Electronics Corporation Shanghai, P.R.China, 200233
CHK	05FEB03		
APVD	05FEB03	NAME	CABLE CLAMP KIT, HIGH WALL TYPE FOR AMP 1.5mm PITCH MINI CT HYBRID LATTICE CONNECTOR
PRODUCT SPEC	108-60028	SIZE	A3
APPLICATION SPEC	114-5256	CAGE CODE	292249
RESTRICTED TO		DRAWING NO	292249
SCALE	NON	SHEET	1 OF 3
REV	A		

THIS DRAWING IS UNPUBLISHED. RELEASED FOR PUBLICATION  
 COPYRIGHT BY TYCO ELECTRONICS CORPORATION ALL RIGHTS RESERVED.

LOC	DIST	REVISIONS					
ES	00	P	LTR	DESCRIPTION	DATE	DWN	APVD
		-	-	SEE SHEET 1	-	-	-

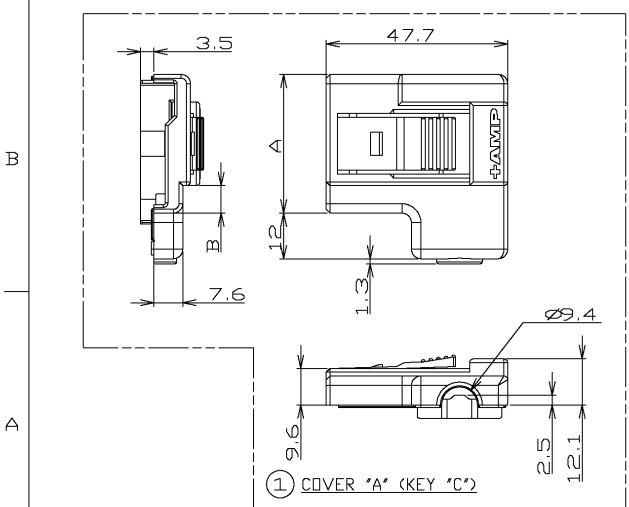
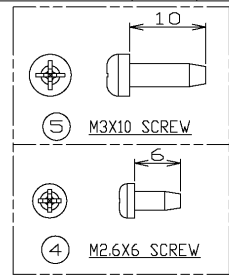
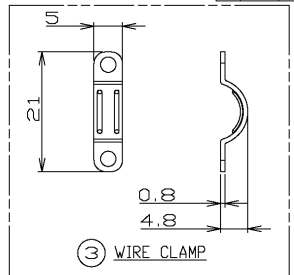
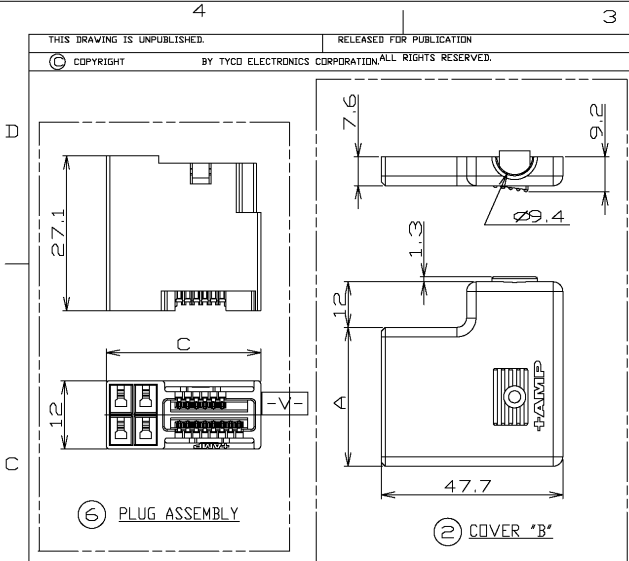


QTY	MATERIAL & FINISH	DESCRIPTION	PART NUMBER	ITEM	KEY TYPE	PART NUMBER			
33.1	THERMOPLASTIC, UL94V-0 COLOR: GRAY	PLUG ASSEMBLY, 22P	2-292245-2	⑥	B	4-292249-2			
—	STEEL, ZINC PLATED	TAPTITE SCREW, P-TITE M3X10	292264-1	⑤					
—	STEEL, ZINC PLATED	TAPTITE SCREW, P-TITE M2.6X6	292263-1	④					
—	STEEL, ZINC PLATED	WIRE CLAMP	292265-1	③					
—	THERMOPLASTIC, UL94-HB COLOR: GRAY	COVER 'B', 22P	2-1318656-2	②					
—	THERMOPLASTIC, UL94-HB COLOR: GRAY	COVER 'A', 22P, KEY 'B'	4-1318655-2	①					
C	B	A	QTY	MATERIAL & FINISH	DESCRIPTION	PART NUMBER	ITEM	KEY TYPE	PART NUMBER

DIMENSIONS: TOLERANCES UNLESS OTHERWISE SPECIFIED: 0 PLC ± 1 PLC ± 2 PLC ± 3 PLC ± 4 PLC ± ANGLES ±		DIVN CHK APVD PRODUCT SPEC APPLICATION SPEC WEIGHT CUSTOMER DRAWING		<b>tyco</b> Electronics Tyco Electronics Corporation Shanghai, P.R.China, 200233	
MATERIAL: SEE TABLE		FINISH: SEE TABLE		NAME: CABLE CLAMP KIT, HIGH WALL TYPE FOR AMP 1.5mm PITCH MINI CT HYBRID LATTICE CONNECTOR	
SCALE: NON		SHEET: 2 OF 3		SIZE: A3 CAGE CODE: 00779 DRAWING NO: 292249 RESTRICTED TO:	

THIS DRAWING IS UNPUBLISHED. RELEASED FOR PUBLICATION  
 COPYRIGHT BY TYCO ELECTRONICS CORPORATION. ALL RIGHTS RESERVED.

LOC	DIST	P	LTR	REVISIONS	DATE	DWN	APVD
ES	00	-	-	DESCRIPTION	-	-	-
				SEE SHEET 1			



QTY	MATERIAL & FINISH	DESCRIPTION	PART NUMBER	ITEM	KEY TYPE	PART NUMBER
1	THERMOPLASTIC, UL94V-0 COLDR: GRAY	PLUG ASSEMBLY, 22P	2-292245-2	⑥	C	6-292249-2
1	STEEL, ZINC PLATED	TAPTITE SCREW, P-TITE M3X10	292264-1	⑤		
2	STEEL, ZINC PLATED	TAPTITE SCREW, P-TITE M2.6X6	292263-1	④		
1	STEEL, ZINC PLATED	WIRE CLAMP	292265-1	③		
1	THERMOPLASTIC, UL94-HB COLDR: GRAY	COVER 'B', 22P	2-1318656-2	②		
1	THERMOPLASTIC, UL94-HB COLDR: GRAY	COVER 'A', 22P, KEY 'C'	6-1318655-2	①		

DIMENSIONS		TOLERANCES UNLESS OTHERWISE SPECIFIED		COMMENTS		CUSTOMER DRAWING	
MM	0 PLC	±	0.15	DIVN	CHK	NAME	RESTRICTED TO
	1 PLC	±	0.25	APVD	PRODUCT SPEC	CABLE CLAMP KIT, HIGH WALL TYPE FOR AMP 1.5mm PITCH MINI CT HYBRID LATTICE CONNECTOR	A3 00779C= 292249
	2 PLC	±	0.38	APPLICATION SPEC	WEIGHT		
	3 PLC	±	0.51				SHEET 3 OF 3
	4 PLC	±	0.64				REV A
	ANGLES	±	0.25				
MATERIAL	FINISH						
SEE TABLE	SEE TABLE						

**tyco** Tyco Electronics Corporation  
 Shanghai, P.R.China, 200233

SIZE: A3 CAGE CODE: 00779C= DRAWING NO: 292249