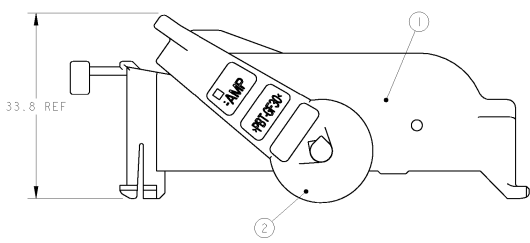
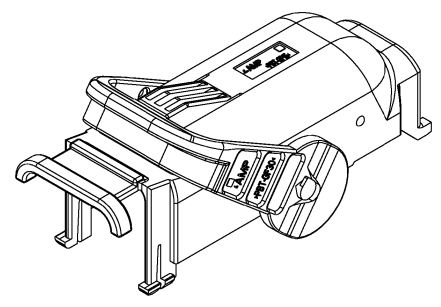
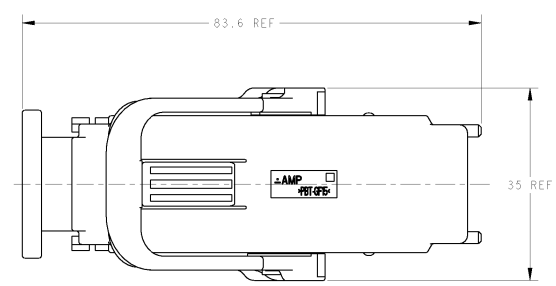


THIS DRAWING IS UNPUBLISHED. RELEASED FOR PUBLICATION
 (C) COPYRIGHT © BY TICO ELECTRONICS CORPORATION. ALL RIGHTS RESERVED.

| REV. NO. | | REVISIONS | DATE | BY | CHKD |
|----------|----------|--------------|------------|------|------|
| 0 | RELEASED | FJ00-2386-01 | 1982/09/01 | T.B. | N.S. |



1. PART NUMBER OF PLUG HOUSING ASSEMBLY TO BE APPLIED ; P/N 1473244-1
 2. INSTRUCTION SHEET NO ; 411-78008
 1. 適合プラグハウジングアッセンブリ型番は、P/N 1473244-1
 2. 取扱説明書 NO ; 411-78008

| | | | | |
|----|-----------|---------------|--------------|----|
| 1 | 1473249-1 | LEVER | BLACK | 2 |
| 1 | 1473248-1 | HARNESS COVER | BLACK | 1 |
| -1 | PART NO | PART NAME | FINISH/COLOR | NO |

| | | | |
|--|--|---|--|
| DIMENSIONAL TOLERANCES UNLESS OTHERWISE SPECIFIED: DIMENSIONS IN MILLIMETERS DECIMALS: ±0.3 FRACTIONS: ±0.15 ANGLES: ±0.5° HOLE POSITION: ±0.15 HOLE DIA: ±0.05 HOLE DRILL: ±0.05 HOLE TAP: ±0.05 HOLE REAM: ±0.05 HOLE DEPTH: ±0.15 HOLE CHAMFER: ±0.15 HOLE RADIUS: ±0.15 HOLE SQUARE: ±0.15 HOLE HEX: ±0.15 HOLE OCT: ±0.15 HOLE OTHER: ±0.15 | | DWG NO: 1473249-1 CTRY: JAPAN CITY: KAWAHARA DIV: S.A.I. APPR: K. SAKIMIZU CHECK: S. SAKIMIZU DATE: 1982/09/01 SCALE: 1:1 WEIGHT: 14.9g MATERIAL: PBT FINISH: SEE TABLE CUSTOMER DRAWING | TICO ELECTRONICS AMP B.K. Kawasaki, Japan AMP LEVER ASSY TYPE-A (STEER THE WIRE OUTSIDE) SEALED 81POS. PLUG HSG MOS CLEAN BODY/JPT SIZE: A2 CASE CODE: 100779 DRAWING NO: 1473247 SCALE: 2:1 SHEET: 1 OF 1 REV: 0 |
|--|--|---|--|