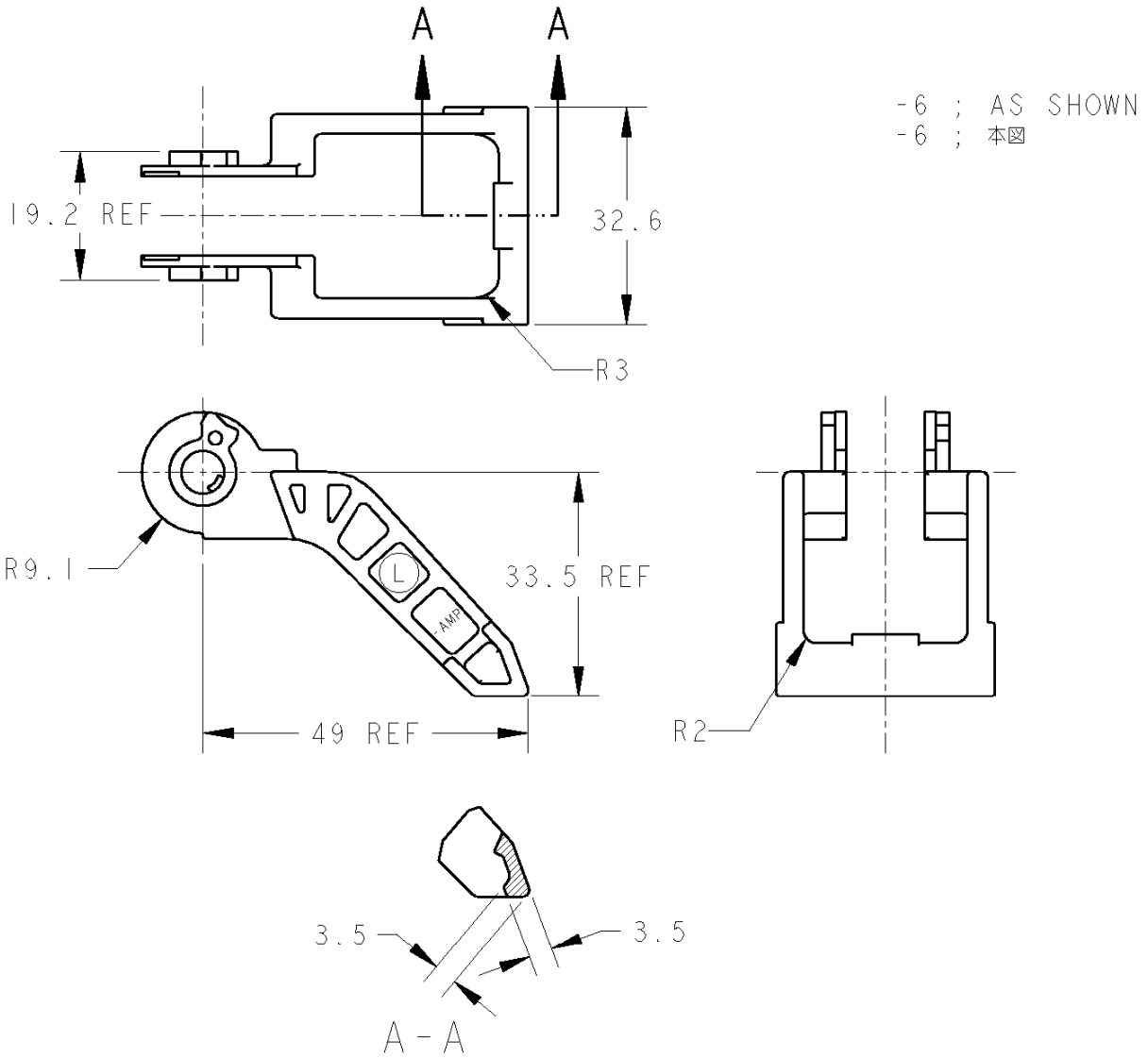


LOC	DIST	REVISONS 変更					
P	LTR	DESCRIPTION	ECN	DATE	DWN	APVD	
J	-	A	REDRAWN WITH CHANGE コーナーR、リア形状追加	FJ00-0787-01	17APR01	ES	NS



1. APPLICABLE FRAME ASSY P/N; 353659-6
2. INSTRUCTION SHEET ; 411-5822

1. 適用FRAME ASSY型番: 353659-6
2. 取扱説明書: 411-5822

20

RELEASED FOR PUBLICATION

THIS DRAWING IS UNPUBLISHED.

BY TYCO ELECTRONICS CORPORATION. ALL RIGHTS RESERVED.

© COPYRIGHT 20

DIMENSIONS: 単位: 耗 mm	DWN E. SASAKI	17APR01	MATERIAL 材料	PBT	FINISH 仕上	GRAY
	CHK T. KOHNO	17APR01	Tyco Electronics AMP K.K. Kawasaki, Japan			
TOLERANCES UNLESS OTHERWISE SPECIFIED: ALL : ±0.3	APVD N. SAI	17APR01				
0 PLC ±	PRODUCT SPEC 製品規格	108-5591	NAME 名称			
1 PLC ±0.1	APPLICATION SPEC 取付適用規格					
2 PLC ±0.01	WEIGHT	6.5 g	SIZE	A4	CAGE CODE	00779
3 PLC ±0.001		CUSTOMER DRAWING	DRAWING NO 番号	C=353662		RESTRICTED TO
4 PLC ±0.0001			SCALE	:		SHEET
ANGLES ±3°00'					A	