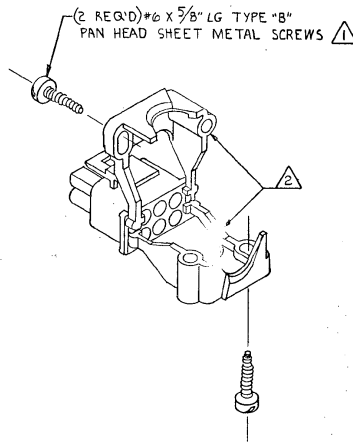
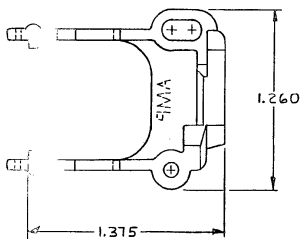
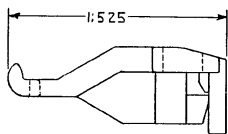


DRAWING MADE IN THIRD ANGLE PROJECTION

© COPYRIGHT 1977 BY AMP INCORPORATED, HARRISBURG, PA.
 ALL INTERNATIONAL RIGHTS RESERVED. AMP INCORPORATED PRODUCTS
 COVERED BY U. S. AND FOREIGN PATENTS AND/OR PATENTS PENDING.

⚠ SHEET METAL SCREWS NOT SUPPLIED
 TWO REQUIRED PER CONNECTOR.
 3 FOR USE WITH 6, 9, 12 + 15 CIRCUIT HOUSINGS WITH A
 WIRE BUNDLE DIAMETER RANGE OF 5/16" TO 1/2".

REVISIONS						
P	F	ZONE	LTR	DESCRIPTION	DATE	APPROVED
✓	✓		C	REV PER EC 0730-0201-04	4-25-80	JH RS



UNLESS OTHERWISE SPECIFIED DIMENSIONS ARE IN INCHES. TOLERANCES ON: DECIMALS ±.015 ANGLES		CONTRACT NO 2-14-80	AMP AMP INCORPORATED Harrisburg, Pa.	
MATERIAL NYLON 94V-0	DR M. FEHER	CHK J.S. Wade 2/29/80	NAME STRAIN RELIEF FOR UNIVERSAL MATE-N-LOK HOUSING	
	APPR J.C. [Signature] 2-29-80	DSGN APPD	SIZE C	CODE IDENT NO 00779
	OTHER APPD		SCALE 2-1	DRAWING NO 350812
				SHEET

AMP 1471-6 REV 12-76

CUSTOMER DRAWING

350812