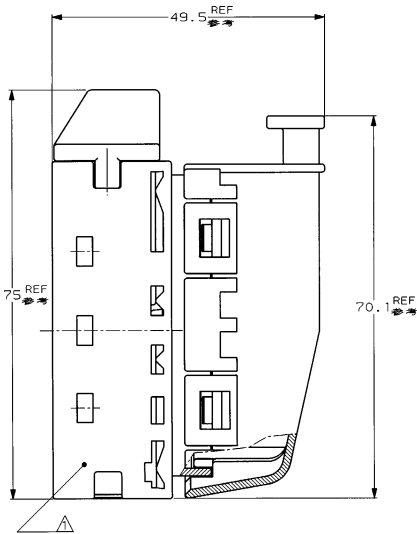
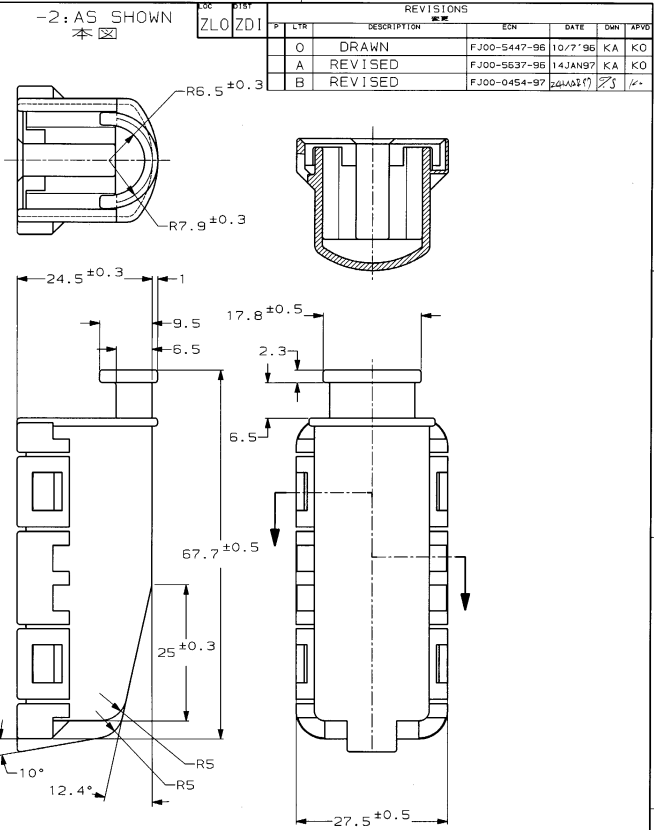


THIS DRAWING IS UNPUBLISHED. RELEASED FOR PUBLICATION
 © COPYRIGHT 1996 BY AMP INCORPORATED. ALL RIGHTS RESERVED.

| REVISONS | | REV | DATE | OWN | APPD |
|----------|---------|--------------|---------|-----|------|
| 0 | DRAWN | FJ00-5447-96 | 10/7/96 | KA | KO |
| A | REVISED | FJ00-5637-96 | 14JAN97 | KA | KO |
| B | REVISED | FJ00-0454-97 | 20JAN97 | KA | KO |



FIXED TO PLUG ASSY
取付状態



△ 適用プラグアッセンブリ 316874-1

△ APPLY PLUG ASSY 316874-1

| DIMENSIONS | | TOLERANCES UNLESS OTHERWISE SPECIFIED | OTHER SPEC | INSULATION DIA |
|------------|----|---------------------------------------|------------|----------------|
| ① | PP | 0.1 | 0.2 | 0.3 |
| ② | PP | 0.1 | 0.2 | 0.3 |
| ③ | PP | 0.1 | 0.2 | 0.3 |
| ④ | PP | 0.1 | 0.2 | 0.3 |
| ⑤ | PP | 0.1 | 0.2 | 0.3 |
| ⑥ | PP | 0.1 | 0.2 | 0.3 |
| ⑦ | PP | 0.1 | 0.2 | 0.3 |
| ⑧ | PP | 0.1 | 0.2 | 0.3 |
| ⑨ | PP | 0.1 | 0.2 | 0.3 |
| ⑩ | PP | 0.1 | 0.2 | 0.3 |
| ⑪ | PP | 0.1 | 0.2 | 0.3 |
| ⑫ | PP | 0.1 | 0.2 | 0.3 |
| ⑬ | PP | 0.1 | 0.2 | 0.3 |
| ⑭ | PP | 0.1 | 0.2 | 0.3 |
| ⑮ | PP | 0.1 | 0.2 | 0.3 |
| ⑯ | PP | 0.1 | 0.2 | 0.3 |
| ⑰ | PP | 0.1 | 0.2 | 0.3 |
| ⑱ | PP | 0.1 | 0.2 | 0.3 |
| ⑲ | PP | 0.1 | 0.2 | 0.3 |
| ⑳ | PP | 0.1 | 0.2 | 0.3 |
| ㉑ | PP | 0.1 | 0.2 | 0.3 |
| ㉒ | PP | 0.1 | 0.2 | 0.3 |
| ㉓ | PP | 0.1 | 0.2 | 0.3 |
| ㉔ | PP | 0.1 | 0.2 | 0.3 |
| ㉕ | PP | 0.1 | 0.2 | 0.3 |
| ㉖ | PP | 0.1 | 0.2 | 0.3 |
| ㉗ | PP | 0.1 | 0.2 | 0.3 |
| ㉘ | PP | 0.1 | 0.2 | 0.3 |
| ㉙ | PP | 0.1 | 0.2 | 0.3 |
| ㉚ | PP | 0.1 | 0.2 | 0.3 |
| ㉛ | PP | 0.1 | 0.2 | 0.3 |
| ㉜ | PP | 0.1 | 0.2 | 0.3 |
| ㉝ | PP | 0.1 | 0.2 | 0.3 |
| ㉞ | PP | 0.1 | 0.2 | 0.3 |
| ㉟ | PP | 0.1 | 0.2 | 0.3 |
| ㊱ | PP | 0.1 | 0.2 | 0.3 |
| ㊲ | PP | 0.1 | 0.2 | 0.3 |
| ㊳ | PP | 0.1 | 0.2 | 0.3 |
| ㊴ | PP | 0.1 | 0.2 | 0.3 |
| ㊵ | PP | 0.1 | 0.2 | 0.3 |
| ㊶ | PP | 0.1 | 0.2 | 0.3 |
| ㊷ | PP | 0.1 | 0.2 | 0.3 |
| ㊸ | PP | 0.1 | 0.2 | 0.3 |
| ㊹ | PP | 0.1 | 0.2 | 0.3 |
| ㊺ | PP | 0.1 | 0.2 | 0.3 |
| ㊻ | PP | 0.1 | 0.2 | 0.3 |
| ㊼ | PP | 0.1 | 0.2 | 0.3 |
| ㊽ | PP | 0.1 | 0.2 | 0.3 |
| ㊾ | PP | 0.1 | 0.2 | 0.3 |
| ㊿ | PP | 0.1 | 0.2 | 0.3 |
| ① | PP | 0.1 | 0.2 | 0.3 |
| ② | PP | 0.1 | 0.2 | 0.3 |
| ③ | PP | 0.1 | 0.2 | 0.3 |
| ④ | PP | 0.1 | 0.2 | 0.3 |
| ⑤ | PP | 0.1 | 0.2 | 0.3 |
| ⑥ | PP | 0.1 | 0.2 | 0.3 |
| ⑦ | PP | 0.1 | 0.2 | 0.3 |
| ⑧ | PP | 0.1 | 0.2 | 0.3 |
| ⑨ | PP | 0.1 | 0.2 | 0.3 |
| ⑩ | PP | 0.1 | 0.2 | 0.3 |
| ⑪ | PP | 0.1 | 0.2 | 0.3 |
| ⑫ | PP | 0.1 | 0.2 | 0.3 |
| ⑬ | PP | 0.1 | 0.2 | 0.3 |
| ⑭ | PP | 0.1 | 0.2 | 0.3 |
| ⑮ | PP | 0.1 | 0.2 | 0.3 |
| ⑯ | PP | 0.1 | 0.2 | 0.3 |
| ⑰ | PP | 0.1 | 0.2 | 0.3 |
| ⑱ | PP | 0.1 | 0.2 | 0.3 |
| ⑲ | PP | 0.1 | 0.2 | 0.3 |
| ⑳ | PP | 0.1 | 0.2 | 0.3 |
| ㉑ | PP | 0.1 | 0.2 | 0.3 |
| ㉒ | PP | 0.1 | 0.2 | 0.3 |
| ㉓ | PP | 0.1 | 0.2 | 0.3 |
| ㉔ | PP | 0.1 | 0.2 | 0.3 |
| ㉕ | PP | 0.1 | 0.2 | 0.3 |
| ㉖ | PP | 0.1 | 0.2 | 0.3 |
| ㉗ | PP | 0.1 | 0.2 | 0.3 |
| ㉘ | PP | 0.1 | 0.2 | 0.3 |
| ㉙ | PP | 0.1 | 0.2 | 0.3 |
| ㉚ | PP | 0.1 | 0.2 | 0.3 |
| ㉛ | PP | 0.1 | 0.2 | 0.3 |
| ㉜ | PP | 0.1 | 0.2 | 0.3 |
| ㉝ | PP | 0.1 | 0.2 | 0.3 |
| ㉞ | PP | 0.1 | 0.2 | 0.3 |
| ㉟ | PP | 0.1 | 0.2 | 0.3 |
| ㊱ | PP | 0.1 | 0.2 | 0.3 |
| ㊲ | PP | 0.1 | 0.2 | 0.3 |
| ㊳ | PP | 0.1 | 0.2 | 0.3 |
| ㊴ | PP | 0.1 | 0.2 | 0.3 |
| ㊵ | PP | 0.1 | 0.2 | 0.3 |
| ㊶ | PP | 0.1 | 0.2 | 0.3 |
| ㊷ | PP | 0.1 | 0.2 | 0.3 |
| ㊸ | PP | 0.1 | 0.2 | 0.3 |
| ㊹ | PP | 0.1 | 0.2 | 0.3 |
| ㊺ | PP | 0.1 | 0.2 | 0.3 |
| ㊻ | PP | 0.1 | 0.2 | 0.3 |
| ㊼ | PP | 0.1 | 0.2 | 0.3 |
| ㊽ | PP | 0.1 | 0.2 | 0.3 |
| ㊾ | PP | 0.1 | 0.2 | 0.3 |
| ㊿ | PP | 0.1 | 0.2 | 0.3 |