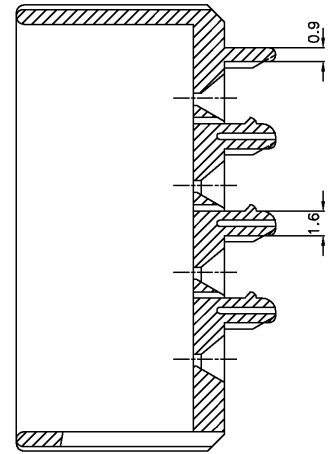
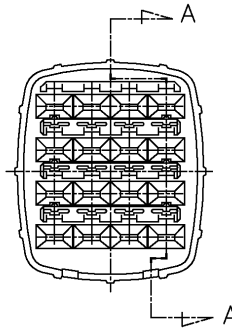
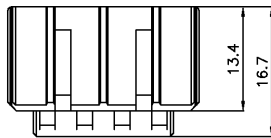
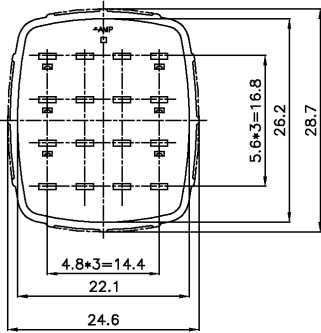
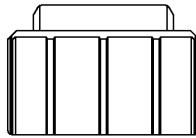


CUSTOMER DRAWING

NUMBER C-368051
METRIC

PRINT DIST.
DIMENSIONS IN MM. DO NOT SCALE PRINT



SECT. A-A
(SCALE:4/1)

NOTE;
1. TO BE MATED WITH CAP HOUSING (P/N 368050)
SMOOTHLY

YELLOW COLOR		PBT MATERIAL		16POS. DBL. PLATE FOR CAP HSG ECONOSEAL J-MARK II [®] CONNECTOR NAME		368051-1 P/N	
© 1997 AMP MFG KOREA ALL RIGHT RESERVED AMP PRODUCTS COVERED BY PATENTS AND DR PATENTS PENDING				AMP AMP KOREA			
WIRE RANGE		INSULATION DIA		NAME 16POS. DBL PLATE FOR CAP HSG ECONOSEAL J-MARK II [®] CONNECTOR			
MATERIAL SEE TABLE		FINISH/COLOR SEE TABLE		TOLERANCES 0XXX10 ±0.2 10XXX30 ±0.25 30XXX100±0.3 ANGLES ±3°		SIZE A3	
LTR		APP		LDC DS		NUMBER 368051	
O RELEASED(RD97-013)		REL		SCALE 2/1		REV 0	
LTR		CHK		SCALE		SHEET 1 OF 1	
REVISION RECORD		DATE		REV		SHEET	

4

3

2

1