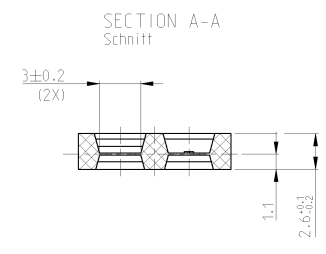
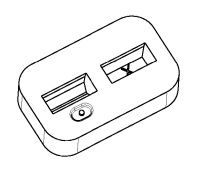
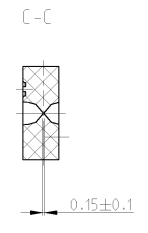
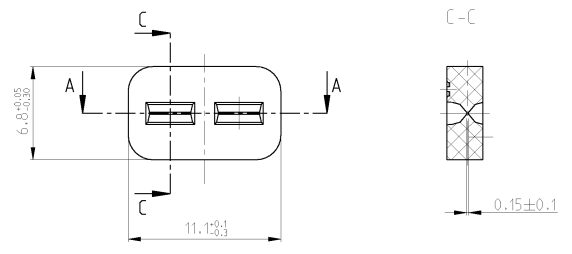
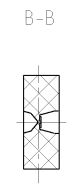
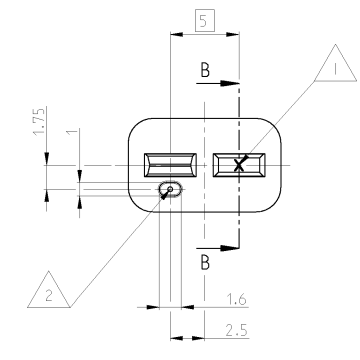


REV	DATE	BY	CHKD	DESCRIPTION
D	04 JUL 2006	LN	TK	SEE E-06-017312
D1	25 SEP 2006	LN	VB	SEE E-06-022754



- NOTES
Bemerkungen
- 1 CAVITY MARKING RAISED, OPTIONAL IN ONE OF THE WINDOWS
Nestmarkierung erhaben, wahlweise in einem der Fenster
 - 2 GATE AREA SUNK
Angussbereich vertieft
Anguss darf nicht aus der auesseren Geometrie ueberstehen



PART NO	REV	DESCRIPTION	COLOUR	WEIGHT [g]	ITEM
963209-1	D	SEALING	NATURE	0.18	1

DIMENSIONS: min 0 PLC #0.3 1 PLC #0.3 2 PLC #0.3 3 PLC #0.3 4 PLC #0.3 ANGLES 90° FINISH		DWG: 04 JUL 2006 CHK: Nguyen DTL: Kilian APP: 18 JUL 2006 DATE: 18 JUL 2006 NAME: Tuerchen PRODUCT SPEC: 108-18102 APPLICATION SPEC: 114-18175 WEIGHT: - CUSTOMER DRAWING	tyco Electronics tyco Electronics AMP GmbH 64625 Bensheim (Germany) SEALING FOR 2POS. JPT HOUSING Dichtung fuer 2pol. Gehaeuse SIZE: A2 CASE CODE: 100779 DRAWING NO: 963209 RESTRICTED TO: - SCALE: 5:1 SHEET: 1 OF 1 REV: D.1
---	--	--	--