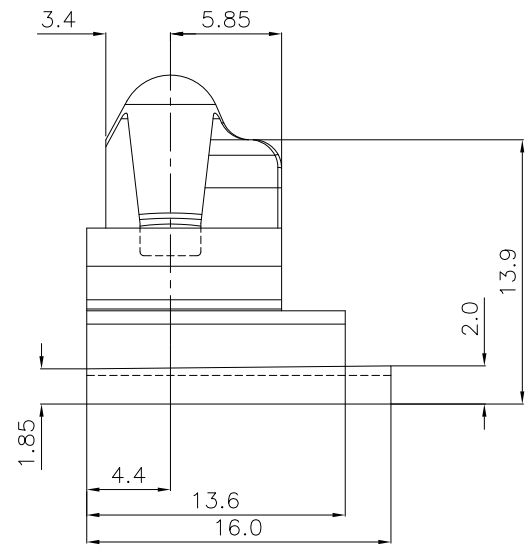
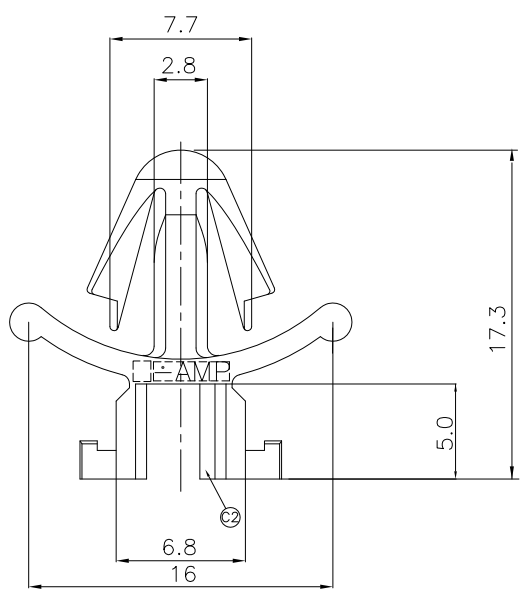
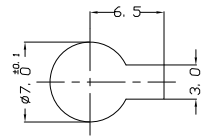


THIS DRAWING IS UNPUBLISHED. RELEASED FOR PUBLICATION
 © COPYRIGHT BY TYCO ELECTRONICS CORPORATION. ALL RIGHTS RESERVED.

LDC		DIST		REVISIONS			
P	LTR	DESCRIPTION	DATE	DWN	APVD		
	C1	REVISED (FC00-0197-04)	24.AUG.'04	JG	CS		
	C2	REVISED (ECR-09-017139)	31.AUG.'09	KT	HG		



NOTE
 1. PANNEL HOLE SIZE (PANNEL t=0.7~1.6)



BLACK	PA66	CLIP HSG	368317-1
COLOR	MATERIAL	DESCRIPTION	P/N

<small>THIS DRAWING IS A CONTROLLED DOCUMENT FOR TYCO ELECTRONICS CORPORATION IT IS SUBJECT TO CHANGE AND THE CONTROLLING ENGINEERING ORGANIZATION SHOULD BE CONTACTED FOR THE LATEST REVISION.</small>		DWN KT JUNG			AMP KOREA. Kyungsan, Korea	
DIMENSIONS: MM		CHK JW JUNG	NAME			
		APVD HGS CHD	CLIP HSG FOR MQS CONNECTOR			
TOLERANCES UNLESS OTHERWISE SPECIFIED: 0 CXXC10 ± 0.2 10CXXC30 ± 0.25 30CXX ± 0.3 ANGLES ± 3°		PRODUCT SPEC -	APPLICATION SPEC -	SIZE A3	CAGE CODE 00779	DRAWING NO C-368317
MATERIAL SEE TABLE		WEIGHT -	CUSTOMER DRAWING		RESTRICTED TO -	
			SCALE 5/1	SHEET 1	OF 1	REV C2