

4

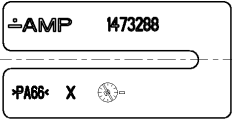
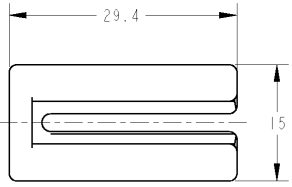
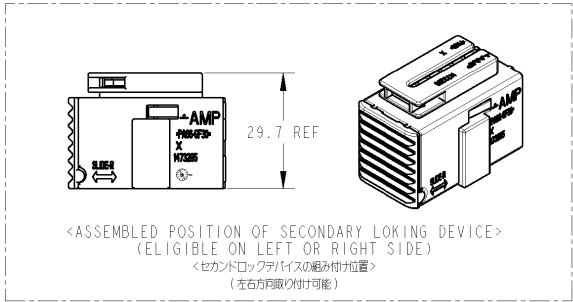
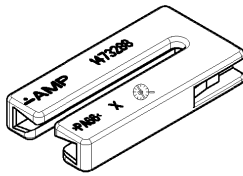
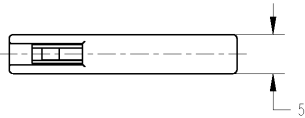
3

2

1

THIS DRAWING IS UNPUBLISHED. RELEASED FOR PUBLICATION
 © COPYRIGHT 20 BY TYCO ELECTRONICS CORPORATION. ALL RIGHTS RESERVED.

LOC	DIST	REVISIONS						
J	-	P	LTR	DESCRIPTION	ECN	DATE	DWN	APVD
		○		RELEASED	FJ00-0921-01	15MAY01	ES	NS
		A		REVISED	FJ00-1288-01	12JUN01	ES	NS



1. APPLICABLE HOUSING ASSEMBLY : P/N X-1473284-X
 1. 適用ハウジングアセンブリ : 型番 X-1473284-X

PAPER BOX タンボール	PLASTIC BAG ビニール袋	GRAY 灰	1473288-1
OUTER 外装	INNER 内装	COLOR 色	PART NUMBER 型番
PACKING STYLE 梱包形態			

DIMENSIONS: 単位: ㎜ mm		TOLERANCES UNLESS OTHERWISE SPECIFIED: ALL : ±0.5		DWN E. SASAKI 14MAY01	AMP Tyco Electronics AMP K.K. Kawasaki, Japan	
		0-PLC ±0.5 1-PLC ±0.5 2-PLC ±0.13 3-PLC ±0.013 4-PLC ±0.000J ANGLES ±5°	FINISH SEE TABLE	CHK T. KOHNO 14MAY01		NAME N. SAI 15MAY01
MATERIAL PA66		PRODUCT SPEC 108-5757		SECONDARY LOCKING DEVICE ,MICRO TIMER II 6POS. ,NEUTRAL TYPE		
WEIGHT 1.2 g		APPLICATION SPEC 114-18081		SIZE A3		CAGE CODE 00779
CUSTOMER DRAWING				DRAWING NO G-1473288		
				RESTRICTED TO		

AMP 1470-19 REV 31MAR2000
 Proj/ENGINEER DRAWING