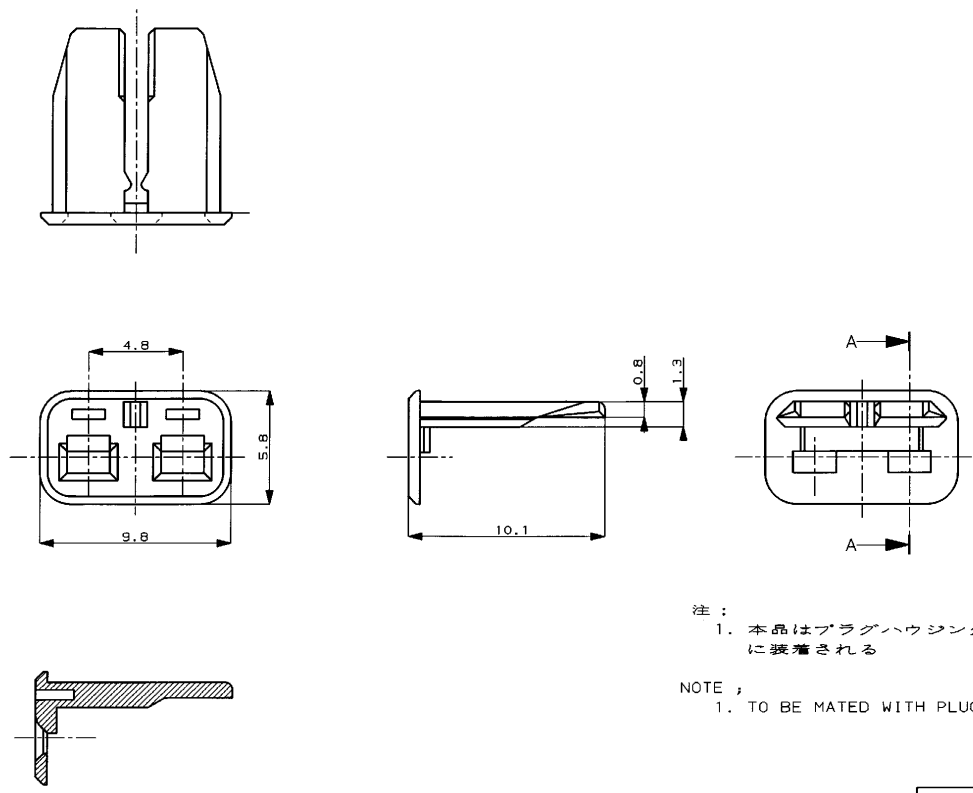


/outo2/new/ku\_08B-0028...customer/s\_c-174353

PRINT DIST  
DIMENSIONS IN MILLIMETERS. DO NOT SCALE PRINT  
METRIC  
3-3 ANGLE PROJECTION  
NUMBER C-174353

4 3 2 1



注：  
1. 本品はプラグハウジングP/N174352  
に装着される

NOTE ;  
1. TO BE MATED WITH PLUG HOUSING (P/N174352)

SECTION  
断面 A-A

PBT	(NATURAL) 自然色	1-174353-1
PBT, 難燃材	(YELLOW) 黄	174353-7
MATERIAL 材料	HOUSING COLOR ハウジング色	P/N

© 19 BY AMP(Japan) LTD. ALL RIGHTS RESERVED. AMP PRODUCTS COVERED BY PATENTS AND OR PATENTS PENDING				<b>AMP</b> AMP (JAPAN), LTD. Tokyo, Japan	
WIRE RANGE mm <sup>2</sup> (AWG)		INSULATION DIA mm		NAME 2P. ECONOSEAL J-MARK II <sup>+</sup> CONNECTOR 2極 エコノシール J マーク II <sup>+</sup> DOUBLE LOCK PLATE FOR PLUG HOUSING プラグ用ダブルロックプレート	
C	REVISED	FJ00-0601-80	AY	NO	11/87
B	追加	FJ00-3734-95	MT	AT	12/12-95
A	変更	REVISED	KO	YM	5/25-99
O	作成	RELEASED	KO	YM	8/24-97
LTR	REVISION RECORD	DR	CHK	DATE	CHK
					8/24'97 M. Mitawaka
					8/25'97 K. Oishi

GENERAL TOLERANCE	SIZE	LOC	NUMBER
0<= 10 : ±0.2 10<= 30 : ±0.25 30<= 100 : ±0.3 ANGLES : ±3°	A3	J	C-174353
SCALE	REV.	SHEET	
5:1	C	1 OF 1	

CUSTOMER DRAWING