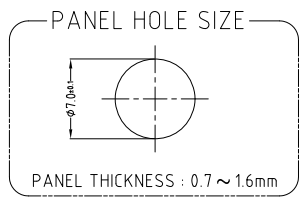
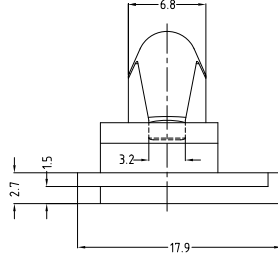
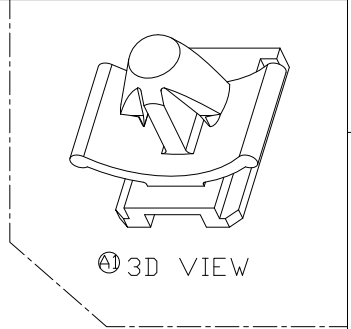
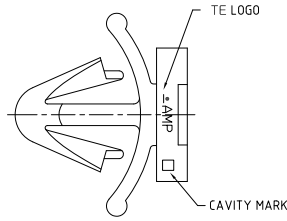
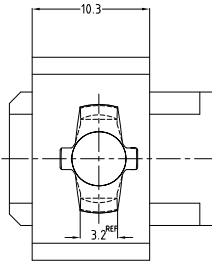
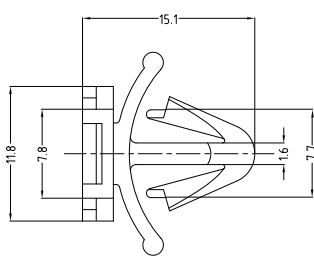


THIS DRAWING IS UNPUBLISHED. RELEASED FOR PUBLICATION  
 © COPYRIGHT BY TYCO ELECTRONICS CORPORATION/ALL RIGHTS RESERVED.

LOC	DIST	REVISIONS			
P	LTR	DESCRIPTION	DATE	DWN	APVD
A		REVISED (ECNFC00-0107-02)	10.JUL.'02	JW	CS
A1		REVISED (ECR-08-030169)	28.NOV.'08	KT	HG



BLACK	NYROL 66	368260-2
NATURAL	NYROL 66	368260-1
COLOR	MATERIAL	P/N

<small>THIS DRAWING IS A CONTROLLED DOCUMENT FOR TYCO ELECTRONICS CORPORATION          IT IS SUBJECT TO CHANGE AND THE CONTROLLING ENGINEERING ORGANIZATION          SHOULD BE CONTACTED FOR THE LATEST REVISION.</small>		DWN KT JUNG CHK JW JUNG APVD HS CHD PRODUCT SPEC - APPLICATION SPEC - WEIGHT -	<b>Tyco Electronics</b> AMP KOREA, Kyungsan, Korea NAME CLIP HSG FOR .090II MLC(Ø7 HOLE)
DIMENSIONS: MM 	TOLERANCES UNLESS OTHERWISE SPECIFIED: 0 <XXX<10 ± 0.2 10<XXX<30 ± 0.25 30<XXX ± 0.3 ANGLES ± 3°	SIZE   CAGE CODE   DRAWING NO A3   00779   C=368260	RESTRICTED TO -
MATERIAL SEE TABLE	FINISH	CUSTOMER DRAWING	SCALE 3/1   SHEET 1 OF 1   REV A1