

-2 WAS CP83-1592-2

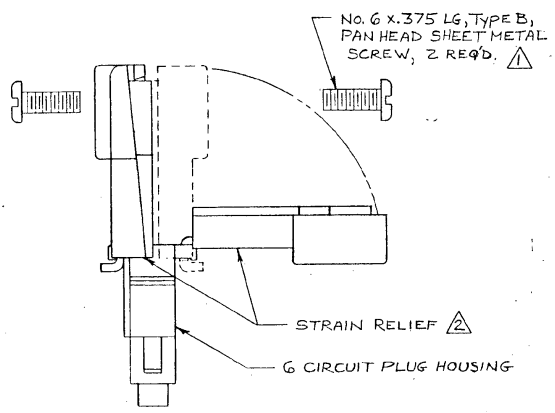
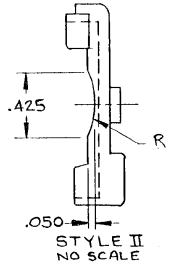
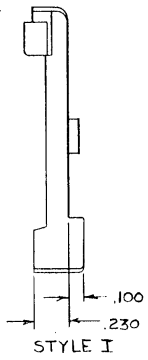
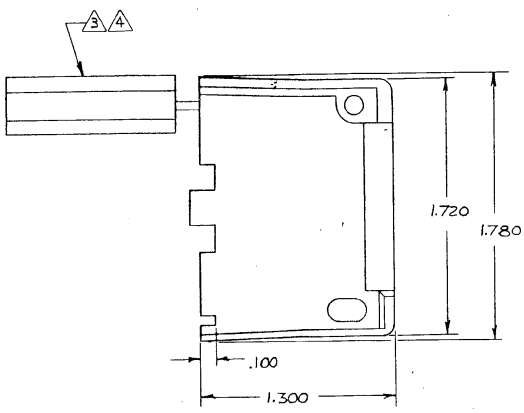
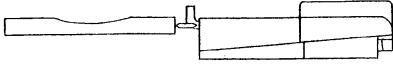
DRAWING MADE IN THIRD ANGLE PROJECTION

THIS DRAWING IS UNPUBLISHED. RELEASED FOR PUBLICATION

© COPYRIGHT 19 BY AMP INCORPORATED, HARRISBURG, PA. ALL INTERNATIONAL RIGHTS RESERVED. AMP PRODUCTS MAY BE COVERED BY U.S. AND FOREIGN PATENTS AND/OR PATENTS PENDING.

LOC DIST  
CM 53

REVISIONS						
P	F	ZONE	LTR	DESCRIPTION	DATE	APPROVED
			D	RELEASE DRAWING PER TTI 82-118	7-23-82	MSF/2H
A			A	ADDED - 2 PER TTI 83-133	11-18-82	KW/ST
			AI	RESTORATION	8-3-88	ST/ST
			B	REV PER ECN CM 705	8/1/88	ST/ST
			C	REV PER EC 0730-0201-94	4-26-85	JH/RS



ASSEMBLY DETAILS

- ⚠ SHEET METAL SCREWS NOT SUPPLIED.
- ⚠ TWO REQUIRED PER CONNECTOR.
- ⚠ MAX WIRE BUNDLE WITHOUT INSERT IS 6 AT .190 DIA. AND MIN WIRE BUNDLE WITH INSERT IS 6 AT .040 DIA.
- ⚠ STYLE II DOES NOT INCLUDE INSERT.
- 5. DETACHABLE INSERT MAY SEPARATE FROM STRAIN RELIEF BODY DURING SHIPPING.

NYLON 94 V-0	II	643313-2
NYLON 94 V-0	I	643313-1
MATERIAL	STYLE	PART NO.

UNLESS OTHERWISE SPECIFIED DIMENSIONS ARE IN INCHES. TOLERANCES ON: DECIMALS ±.015 ANGLES ±.015	CONTRACT NO	AMP   AMP INCORPORATED Harrisburg, Pa. 17105
	DP <i>M. Folan 7-23-82</i>	
MATERIAL SEE TABLE	CHK <i>D. Schade 10/1/82</i>	NAME STRAIN RELIEF AND INSERT, UNIVERSAL MATE-N-LOK™ G CIRCUIT
FINISH SEE TABLE	APPD <i>G. E. Quirk 11/1/82</i>	SIZE C
	DSGN APPD	FSCM NO 00779
	OTHER APPD	DRAWING NO 643313
		SCALE 2:1
		SHEET 1 OF 1

CUSTOMER DRAWING