

4

3

2

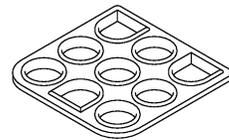
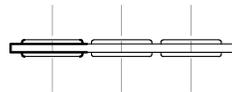
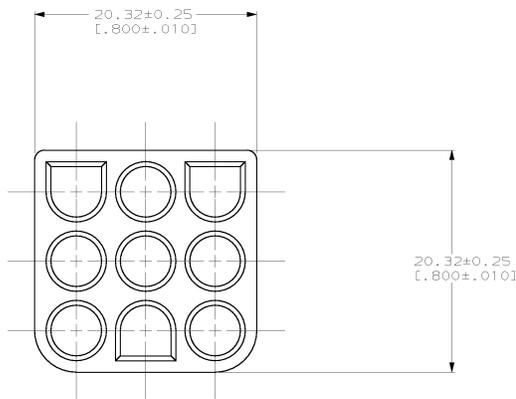
1

THIS DRAWING IS UNCLASSIFIED
 RELEASED FOR PUBLICATION
 (C) COPYRIGHT IS BY AMP INCORPORATED. ALL RIGHTS RESERVED.

REV	DATE	DESCRIPTION	DATE	BY	APP'D
CM	53				
B		REV PER EC 0618-0062-9B	4-6-98	JH	RS

△ MATERIAL: SELF LUBRICATING SILICON RUBBER
 COLOR: BLUE

2. DIMENSIONS IN BRACKETS ARE IN INCHES.



3-DIMENSIONAL MODEL
 NTS

794277-1
 PART NUMBER

METRIC

THIS DRAWING IS A CONTROLLED DOCUMENT		DR S. LEWIS	3-25-92	AMP AMP Incorporated Harrisburg, PA 17105-3608
DRAWN BY		CHK S. SWING	3-25-92	
DIMENSIONS INCHES		APP'D S. SWING	3-25-92	INTERFACE SEAL, 9 CIRCUIT, UNIVERSAL MATE-N-LOK™
DIMENSIONS MILLIMETERS		PROJ. SPEC.		
TOLERANCES UNLESS OTHERWISE SPECIFIED		APPLICATION SPEC.		
MATERIAL		REVISION		
FINISH		DATE	SCALE	4:1
PARTIAL		REV	SHEET	1 OF 1
CUSTOMER DRAWING		DATE	REV	B

794277

794277-1

PART NUMBER

A

RESTRICTED TO