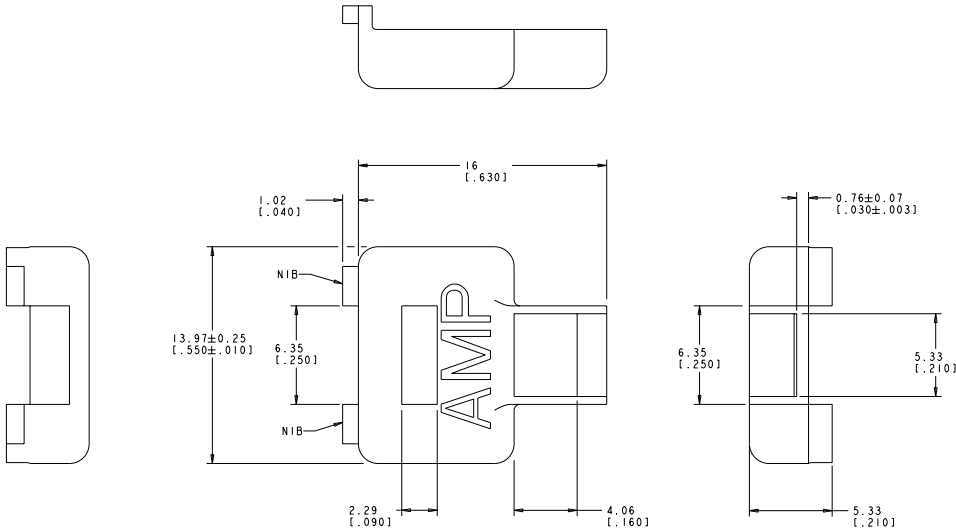
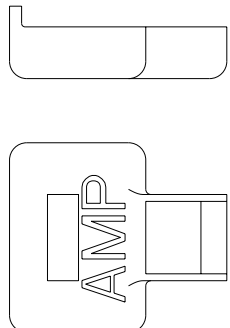
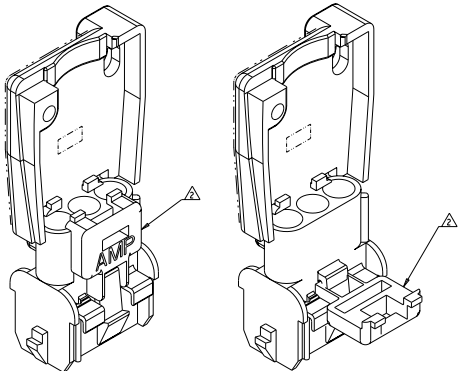


REV. NO.		REVISIONS			
CM	00	REVISED PER ECO-07-005782	DATE	BY	CHK



1. FOR USE WITH 3, 4, 9, 12, AND 15 CIRCUIT CAP HOUSINGS AND APPROPRIATE STRAIN RELIEF (ENCLOSED VERSION).
 ⚠ ADAPTER ATTACHES TO CAP HOUSING AS SHOWN PROVIDING FEATURE TO ATTACH STRAIN RELIEF.
 ⚠ MATERIAL: NYLON UL94V-2.



ALTERNATE STYLE
641777-2

VOLUME IN ³	COLOR	USAGE	STYLE	PART NO.
0.0239	BLACK	FOR STRAIN RELIEF	AS SHOWN (WITH NIBS)	641777-9
0.0239	GRAY	FOR STRAIN RELIEF	AS SHOWN (WITH NIBS)	641777-B
0.0236	NATURAL	FOR STRAIN RELIEF	ALTERNATE (WITHOUT NIBS)	641777-2
0.0239	NATURAL	FOR ASSEMBLY MODULE	AS SHOWN (WITH NIBS)	641777-1



DATE: 08/24/2018 TIME: 10:00 AM USER: JEFFREY PLOT: 100% PLOT FILE: 641777-2.dwg	TITLE: ADAPTER, STRAIN RELIEF, UNIVERSAL MATE-N-LOCK (TM) (FOR CAP HOUSING) PART NO: 641777-2 CUSTOMER DRAWING	MILLSCALE: 1:1 COL: 100% FILE: 641777-2.dwg DATE: 08/24/2018 TIME: 10:00 AM USER: JEFFREY PLOT: 100% PLOT FILE: 641777-2.dwg	Type Electronics Harrisburg, PA 17105-3600 ADAPTER, STRAIN RELIEF, UNIVERSAL MATE-N-LOCK (TM) (FOR CAP HOUSING) STATE CODE (SEARCH TO): A 00779-641777 SCALE: 8:1 SHEET: 1 OF 2 PAGE: 2
--	--	---	--