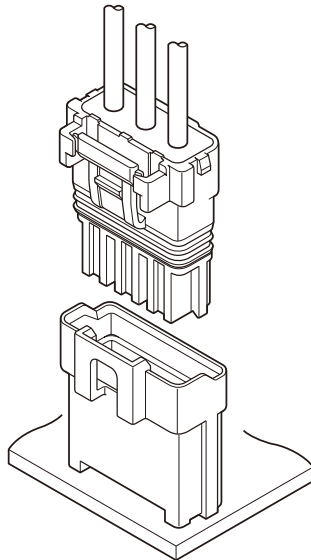




# WPJ CONNECTOR

**5.0mm pitch/Disconnectable Crimp style connectors**



**Compact, Water Resist and Durable. This connector for electrical connection can be used on both waterproof and non-waterproof conditions, depending on the usage. Just by placing a rubber part will change it into a water resistant connector. Both conditions are using the same header.**

- Waterproof performance [Grade 7 ingress protection of JIS C 0920 (IEC 60529 IPX7) ]
- Control key system
- Contacting part of contact is hardly deformed
- Inner locking system
- Compact design

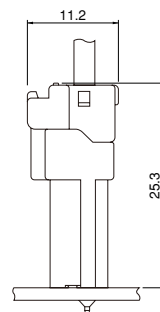
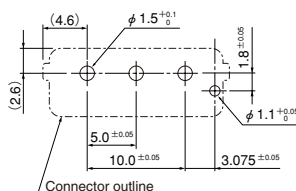
## Specifications

- Current rating: 7A AC, DC (AWG #18)
- Voltage rating: 300V AC, DC
- Temperature range: -25°C to +85°C  
(including temperature rise in applying electrical current)
- Contact resistance: Initial value/10m Ω max.  
After environmental testing/20m Ω max.
- Insulation resistance: 1,000M Ω min.
- Withstanding voltage: 1,500V AC/minute
- Applicable wire: Conductor size/AWG #22 to #18  
Insulation O.D./2.32 to 2.83mm  
1.52 to 2.03mm
- Waterproof grade: Grade 7 ingress protection of JIS C 0920(IEC 60529 IPX7)
- \* Compliant with RoHS.
- \* Refer to "General Instruction and Notice when using Terminals and Connectors" at the end of this catalog.
- \* Contact JST for details.

## Standards

- Ⓜ Recognized E60389
- Ⓢ Certified LR20812
- Ⓛ File No.R50073100

## PC board layout (viewed from component side) and Assembly layout

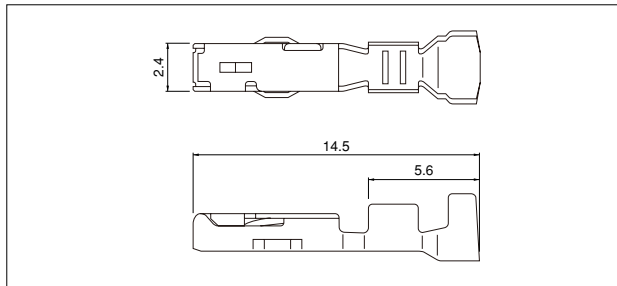


Note: 1. Tolerances are non-cumulative: ±0.05mm for all centers.  
2. The dimensions above should serve as a guideline. Contact JST for details.

# WPJ CONNECTOR

(Non-waterproof type)

## Contact



Model No.	Applicable wire		Insulation O.D. (mm)	Q'ty / reel
	mm <sup>2</sup>	AWG#		
SWPJR-21T-M0.5	0.33~0.83	22~18	2.32~2.83	4,500
*SWPJR-21T-M0.5A	0.33~0.83	22~18	1.52~2.03	4,500

### Material and Finish

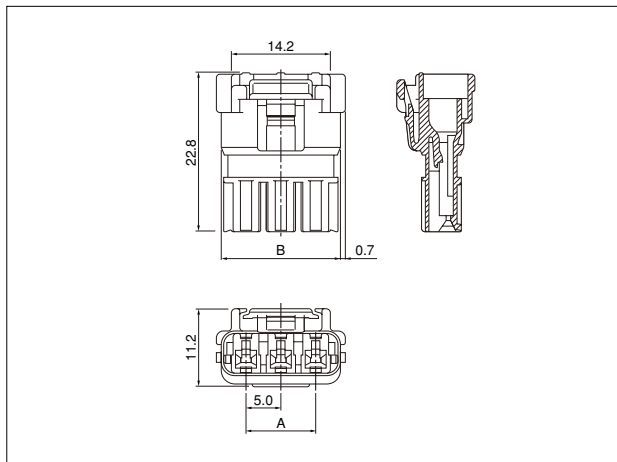
Copper alloy, tin-plated (reflow treatment)

### RoHS compliance

Note: \*Marked product is not CSA/TÜV approved.

Contact	Crimping machine	Applicator		
		Crimp applicator	Dies	Crimp applicator with dies
SWPJR-21T-M0.5	AP-K2N	MKS-L	MK/SWPJR/T-21-05	APLMK SWPJR/T21-05
		—	—	—
SWPJR-21T-M0.5A	—	MKS-L	MK/SWPJR/T-21-05A	APLMK SWPJR/T21-05A
		—	—	—

## Housing



### Receptacle housing

Circuits	Model No.	A	B	Q'ty / bag
2	WPJR-02V-1-S	—	12.1	1,000
3	WPJR-03V-1-S	10.0	17.1	1,000

### Material

Glass-filled PBT, UL94V-0, natural (white)

### RoHS compliance

<For reference> Polarizing key pattern

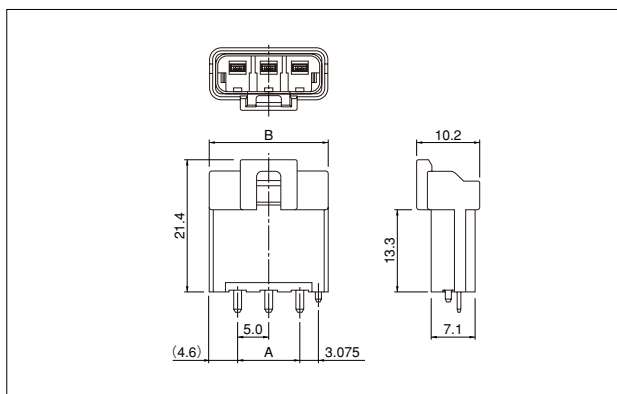
Key pattern No.1(Color: Natural): WPJR-02V-1-S

Key pattern No.2(Color: Red): WPJR-02V-2-R

Key pattern No.3(Color: Blue): WPJR-02V-3-E

For availability, delivery and minimum order quantity, contact JST.

## Header



Circuits	Model No.	A	B	Q'ty / bag
2	B02B-WPJSS-1	—	14.2	400
3	B03B-WPJSS-1	10.0	19.2	300

### Material and Finish

Wafer: Glass-filled PBT, UL94V-0

Post: Copper alloy, copper-undercoated, tin-plated (reflow treatment)

**RoHS compliance** This product displays (LF)(SN) on a label.

<For reference> Polarizing key pattern

Key pattern No.1(Color: Natural): B02B-WPJSS-1

Key pattern No.2(Color: Red): B02B-WPJRS-2

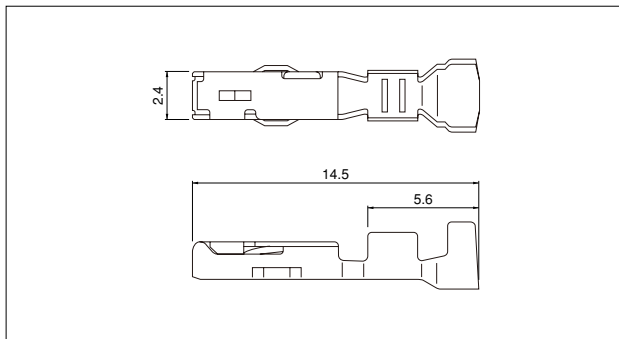
Key pattern No.3(Color: Blue): B02B-WPJES-3

For availability, delivery and minimum order quantity, contact JST.

# WPJ CONNECTOR

(Waterproof type)

## Contact



Model No.	Applicable wire		Insulation O.D. (mm)	Q'ty / reel
	mm <sup>2</sup>	AWG#		
<b>SWPJR-21T-M0.5</b>	0.33~0.83	22~18	2.32~2.83	4,500

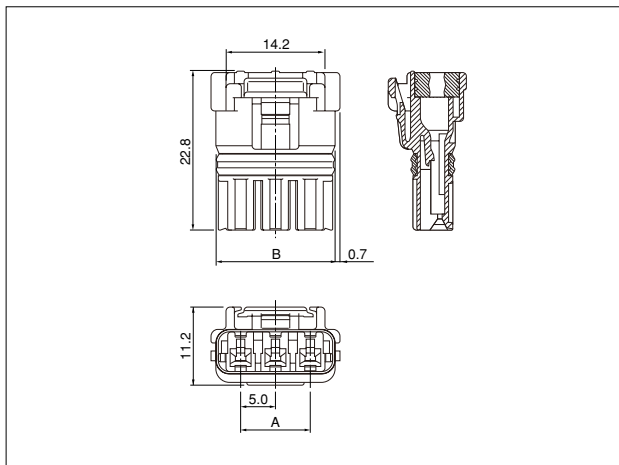
### Material and Finish

Copper alloy, tin-plated (reflow treatment)

### RoHS compliance

Contact	Crimping machine	Applicator		
		Crimp applicator	Dies	Crimp applicator with dies
<b>SWPJR-21T-M0.5</b>	AP-K2N	MKS-L	MK/SWPJR/T-21-05	APLMK SWPJR/T21-05
		—	—	—

## Housing



### Receptacle housing assembly

Circuits	Model No.	A	B	Q'ty / box
2	<b>02R-WPJV-1-SMM</b>	—	12.1	240
3	<b>03R-WPJV-1-SMM</b>	10.0	17.1	192

### Material

Receptacle housing: Glass-filled PBT, UL94V-0, natural (white)  
Seal ring: Silicon, green  
Seal rubber plate: Silicon, green

### RoHS compliance

<For reference> Polarizing key pattern

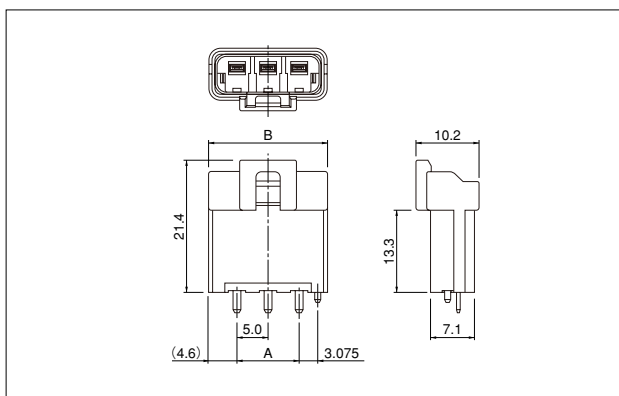
Key pattern No.1(Color: Natural): **02R-WPJV-1-SMM**

Key pattern No.2(Color: Red): **02R-WPJV-2-RMM**

Key pattern No.3(Color: Blue): **02R-WPJV-3-EMM**

For availability, delivery and minimum order quantity, contact JST.

## Header



Circuits	Model No.	A	B	Q'ty / bag
2	<b>B02B-WPJSS-1</b>	—	14.2	400
3	<b>B03B-WPJSS-1</b>	10.0	19.2	300

### Material and Finish

Wafer: Glass-filled PBT, UL94V-0  
Post: Copper alloy, copper-undercoated, tin-plated (reflow treatment)

### RoHS compliance

<For reference> Polarizing key pattern

Key pattern No.1(Color: Natural): **B02B-WPJSS-1**

Key pattern No.2(Color: Red): **B02B-WPJRS-2**

Key pattern No.3(Color: Blue): **B02B-WPJES-3**

For availability, delivery and minimum order quantity, contact JST.