

DRAWING MADE IN THIRD ANGLE PROJECTION

3

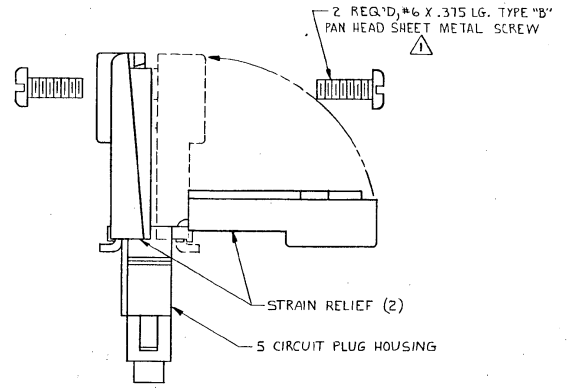
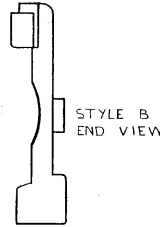
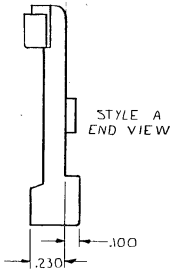
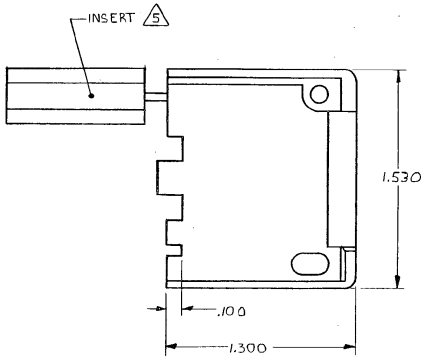
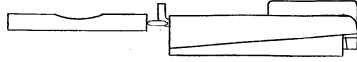
2

1

LOC DIST
CM 53

THIS DRAWING IS UNPUBLISHED. RELEASED FOR PUBLICATION
 © COPYRIGHT 19 BY AMP INCORPORATED, HARRISBURG, PA. ALL INTERNATIONAL RIGHTS RESERVED. AMP PRODUCTS MAY BE COVERED BY U.S. AND FOREIGN PATENTS AND/OR PATENTS PENDING.

REVISIONS					
P	ZONE	LTR	DESCRIPTION	DATE	APPROVED
✓		O	RELEASE DRAWING PER M. 6439	5-11-82	M.F./D.H.
✓		A	Added 643030-4, TTL 82-169	7/2/82	M.V./D.H.
✓		A	RESTORED	7/1/82	FD
✓		B	REV PER ECN CM TOE	12/1/82	EB / BS
✓		C	REV PER EC 0730-0201-94	4/2/83	JH



ASSEMBLY DETAILS

⚠ SHEET METALS SCREWS NOT SUPPLIED.
 ⚠ TWO REQUIRED PER CONNECTOR.

- STYLE A; MAX WIRE BUNDLE WITHOUT INSERT IS 5 AT .190 DIA, AND MIN WIRE BUNDLE WITH INSERT IS 5 AT .040 DIA.
- STYLE B; DESIGNED TO ACCEPT CABLE WITH .200-.350 OUTSIDE DIAMETER.
- DETACHABLE INSERT MAY SEPARATE FROM STRAIN RELIEF BODY DURING SHIPPING.

NO INSERT	BRICK RED OR WHITE	NYLON 94V-0	STYLE B	643030-4
WITH INSERT	NATURAL	NYLON 94V-2	STYLE A	643030-3
NO INSERT			STYLE B	643030-2
WITH INSERT	BRICK RED OR WHITE	NYLON 94V-0	STYLE A	643030-1

UNLESS OTHERWISE SPECIFIED DIMENSIONS ARE IN INCHES. TOLERANCES ON: DECIMALS ±.015 ANGLES ±	CONTRACT NO	AMP INCORPORATED Harrisburg, Pa. 17105		
	DR M. Fehor 5-11-82	NAME STRAIN RELIEF AND INSERT, UNIVERSAL MATE-N-LOK™, 5 CIRCUIT		
MATERIAL SEE TABLE	CHK D.S. Heide 6/1/82	SIZE C	FSCM NO 00779	DRAWING NO 643030
	APPD G.E. Quella 6/1/82	OTHER APPD	SCALE 2:1	SHEET 1 OF 1

AMP 1471-6 REV 2-81

CUSTOMER DRAWING