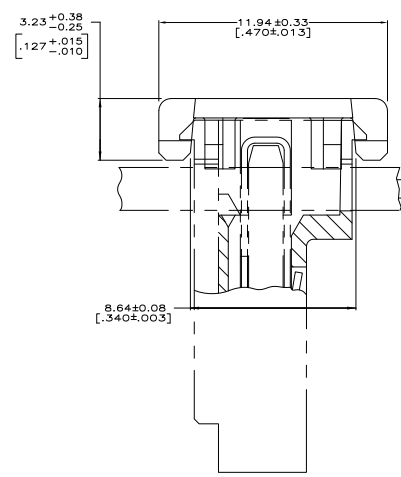
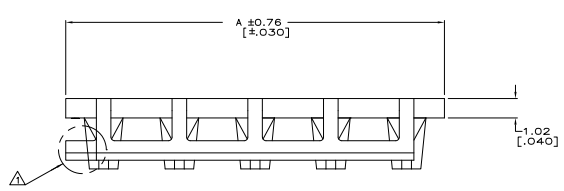
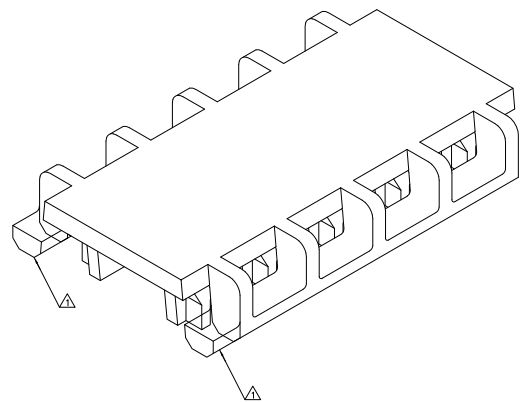


THIS DRAWING IS UNAPPROVED FOR PRODUCTION  
 ALL WORK HEREON

REV	DATE	DESCRIPTION	BY	CHK
CM	54			
F1		REVISED PER ECO-11-004820	11MMH11	RK HMR



△ PART MAY BE MOLDED TO DESIRED POSITION SIZE OR CUT TO DESIRED POSITION SIZE FROM A LARGER POSITION SIZE PART. WHEN PART IS CUT TO DESIRED POSITION SIZE PORTION OF FRONT LOCKING BAR WILL REMAIN ATTACHED.  
 2. DIMENSIONS IN BRACKETS ARE IN INCHES.



3-DIMENSIONAL MODEL NTS

24	CIRCUIT ASSEMBLIES	95.10	[3.744]	2-643071-4
23	CIRCUIT ASSEMBLIES	91.14	[3.588]	2-643071-3
22	CIRCUIT ASSEMBLIES	87.17	[3.432]	2-643071-2
21	CIRCUIT ASSEMBLIES	83.21	[3.276]	2-643071-1
20	CIRCUIT ASSEMBLIES	79.25	[3.120]	2-643071-0
19	CIRCUIT ASSEMBLIES	75.29	[2.964]	1-643071-9
18	CIRCUIT ASSEMBLIES	71.32	[2.808]	1-643071-8
17	CIRCUIT ASSEMBLIES	67.36	[2.652]	1-643071-7
16	CIRCUIT ASSEMBLIES	63.40	[2.496]	1-643071-6
15	CIRCUIT ASSEMBLIES	59.44	[2.340]	1-643071-5
14	CIRCUIT ASSEMBLIES	55.47	[2.184]	1-643071-4
13	CIRCUIT ASSEMBLIES	51.51	[2.028]	1-643071-3
12	CIRCUIT ASSEMBLIES	47.55	[1.872]	1-643071-2
11	CIRCUIT ASSEMBLIES	43.59	[1.716]	1-643071-1
10	CIRCUIT ASSEMBLIES	39.62	[1.560]	1-643071-0
9	CIRCUIT ASSEMBLIES	35.66	[1.404]	643071-9
8	CIRCUIT ASSEMBLIES	31.70	[1.248]	643071-8
7	CIRCUIT ASSEMBLIES	27.74	[1.092]	643071-7
6	CIRCUIT ASSEMBLIES	23.77	[0.936]	643071-6
5	CIRCUIT ASSEMBLIES	19.81	[0.780]	643071-5
4	CIRCUIT ASSEMBLIES	15.85	[0.624]	643071-4
3	CIRCUIT ASSEMBLIES	11.89	[0.468]	643071-3
2	CIRCUIT ASSEMBLIES	7.92	[0.312]	643071-2

USE OR VIA USE ASSEMBLIES AS LISTED

THIS DRAWING IS A CONTROLLED DOCUMENT	DATE	10-10-98	TE Connectivity
DRAWING NO. (SHEET)	REV. NO.	REV. DATE	REV. BY
1	1	10-10-98	WAK
DATE	10-10-98	BY	WAK
DESCRIPTION	COVER, FEED-THRU, MOLDED, .095 MAX. O.D. WIRE, WTA-156		
DATE	10-10-98	BY	WAK
DESCRIPTION	CUSTOMER DRAWING		
DATE	10-10-98	BY	WAK

WTA-156