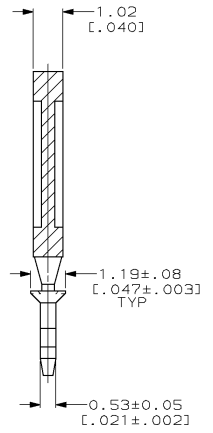
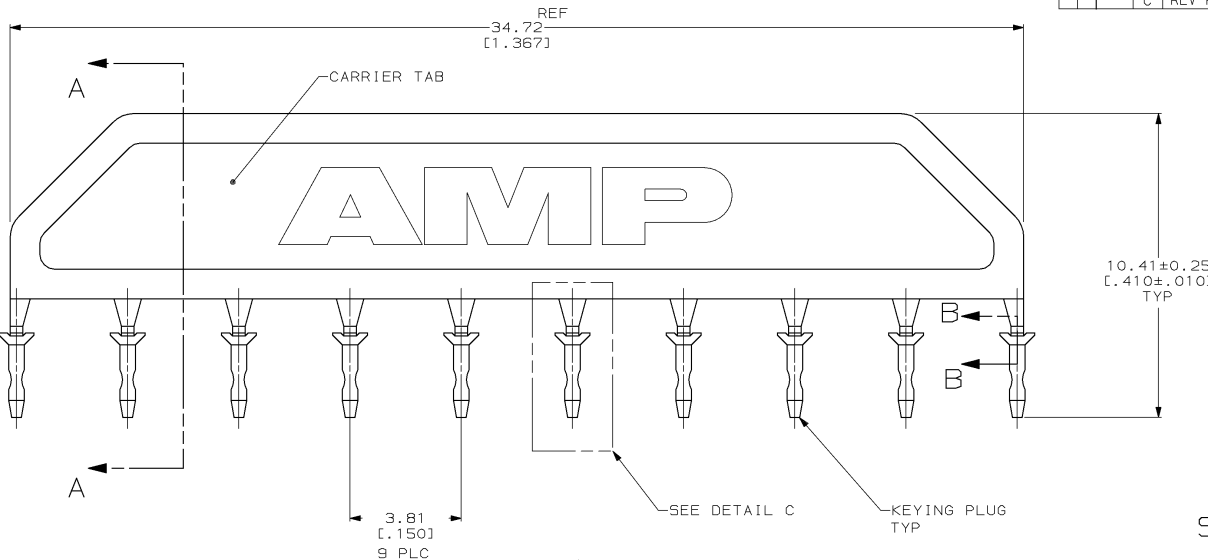
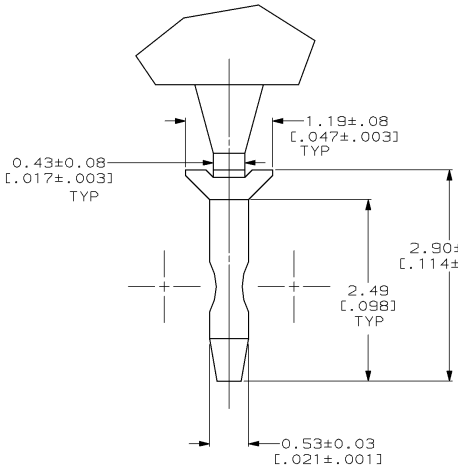


DRAWING MADE IN THIRD ANGLE PROJECTION
 THIS DRAWING IS UNPUBLISHED. RELEASED FOR PUBLICATION
 © COPYRIGHT 19 BY AMP INCORPORATED. ALL INTERNATIONAL RIGHTS RESERVED.

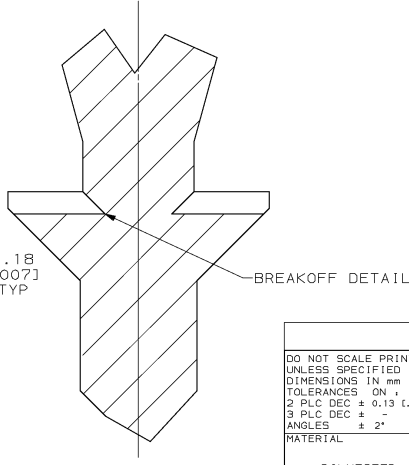
LOC	DIST	P	F	ZONE	LTR	DESCRIPTION	DATE	APPD
AR	35					B REV PER ECN B06220	05/15/92	RL
						C REV PER EC 0020-280-94	05/03/94	AM



SECTION A-A



DETAIL C
 SCALE 25:1



SECTION B-B
 SCALE 75:1

DO NOT SCALE PRINT. UNLESS SPECIFIED DIMENSIONS IN mm [INCHES]		DR 02-21-92 C.OBERMAN		111620-1 PART NO	
TOLERANCES ON + 2 PLC DEC ± 0.13 (.005) 3 PLC DEC ± " ANGLES ± 2°		CHK 03-3-92 R.STONE		AMP AMP Incorporated Harrisburg, PA 17105-3608	
MATERIAL POLYESTER, BLACK		APPD 03-3-92 R.LOCATI		NAME KEYING PLUG, 2mm AMP-LATCH™	
FINISH -		APPD 03-3-92 D.HOFFMAN		PRODUCT SPEC -	
APPLICATION SPEC -		SIZE ©	CAGE CODE 00779	DRAWING NO 111620	
WEIGHT -		SCALE 10:1	SHEET 1 OF 1		

CUSTOMER DRAWING

111620

A