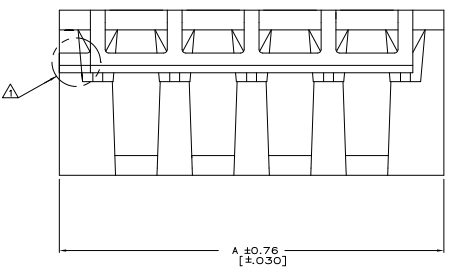
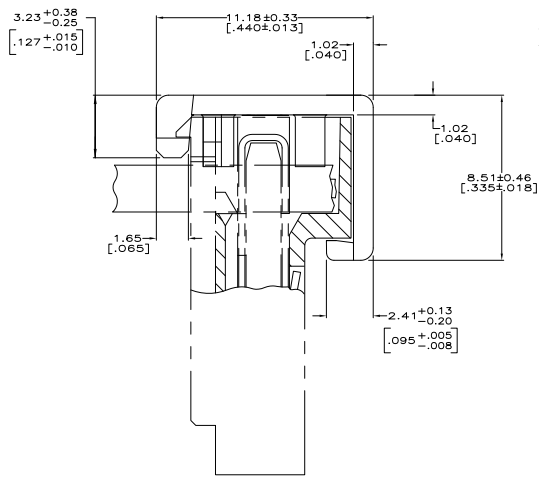


THIS DRAWING IS UNPUBLISHED
 ALL RIGHTS RESERVED

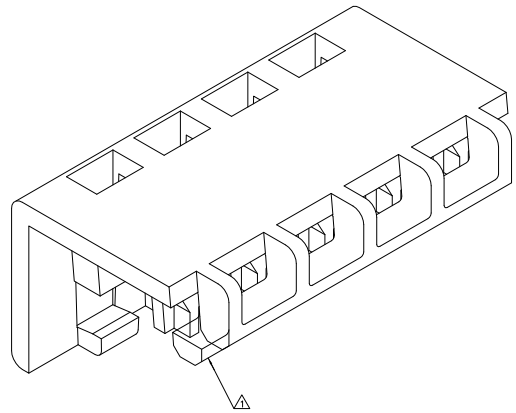
| REV | DATE | DESCRIPTION | BY | CHK | APP |
|-------|------|---------------------------|---------|-----|-----|
| CM 54 | | REVISED PER EDD-11-004587 | 11MMR11 | RK | HMR |



A 40.76
 [±0.030]



- △ PART MAY BE MOLDED TO DESIRED POSITION SIZE OR CUT TO DESIRED POSITION SIZE FROM A LARGER POSITION SIZE PART. WHEN PART IS CUT TO DESIRED POSITION SIZE, A PORTION OF FRONT LOCKING BAR WILL REMAIN ATTACHED.
- DIMENSIONS IN BRACKETS ARE IN INCHES.
 - TWO POSITION (-2) PARTS WILL BE MOLDED ONLY.



3-DIMENSIONAL MODEL
 NTS

| | | | | |
|----|--------------------|-------|---------|------------|
| 24 | CIRCUIT ASSEMBLIES | 95.10 | [3.744] | 2-643067-4 |
| 23 | CIRCUIT ASSEMBLIES | 91.14 | [3.588] | 2-643067-3 |
| 22 | CIRCUIT ASSEMBLIES | 87.17 | [3.432] | 2-643067-2 |
| 21 | CIRCUIT ASSEMBLIES | 83.21 | [3.276] | 2-643067-1 |
| 20 | CIRCUIT ASSEMBLIES | 79.25 | [3.120] | 2-643067-0 |
| 19 | CIRCUIT ASSEMBLIES | 75.29 | [2.964] | 1-643067-9 |
| 18 | CIRCUIT ASSEMBLIES | 71.32 | [2.808] | 1-643067-8 |
| 17 | CIRCUIT ASSEMBLIES | 67.36 | [2.652] | 1-643067-7 |
| 16 | CIRCUIT ASSEMBLIES | 63.40 | [2.496] | 1-643067-6 |
| 15 | CIRCUIT ASSEMBLIES | 59.44 | [2.340] | 1-643067-5 |
| 14 | CIRCUIT ASSEMBLIES | 55.47 | [2.184] | 1-643067-4 |
| 13 | CIRCUIT ASSEMBLIES | 51.51 | [2.028] | 1-643067-3 |
| 12 | CIRCUIT ASSEMBLIES | 47.55 | [1.872] | 1-643067-2 |
| 11 | CIRCUIT ASSEMBLIES | 43.59 | [1.716] | 1-643067-1 |
| 10 | CIRCUIT ASSEMBLIES | 39.62 | [1.560] | 1-643067-0 |
| 9 | CIRCUIT ASSEMBLIES | 35.66 | [1.404] | 643067-9 |
| 8 | CIRCUIT ASSEMBLIES | 31.70 | [1.248] | 643067-8 |
| 7 | CIRCUIT ASSEMBLIES | 27.74 | [1.092] | 643067-7 |
| 6 | CIRCUIT ASSEMBLIES | 23.77 | [.936] | 643067-6 |
| 5 | CIRCUIT ASSEMBLIES | 19.81 | [.780] | 643067-5 |
| 4 | CIRCUIT ASSEMBLIES | 15.85 | [.624] | 643067-4 |
| 3 | CIRCUIT ASSEMBLIES | 11.89 | [.468] | 643067-3 |
| 2 | CIRCUIT ASSEMBLIES | 7.92 | [.312] | 643067-2 |

USE ON MTA 156 ASSEMBLIES AS LISTED

| | | | |
|---------------------------------------|-----------------|--|---------------|
| THIS DRAWING IS A CONTROLLED DOCUMENT | | REV. 1 | DATE 11-01-11 |
| DESIGNED BY | DESIGNED BY | DATE | DATE |
| DRWING NO. 001-2 WIRE | TE Connectivity | COVER, MOLDED, .095 MAX O.D. WIRE, MTA-156 | REVISED TO |
| DATE | DATE | DATE | DATE |
| 100779 | 643067 | 1 | 1 |