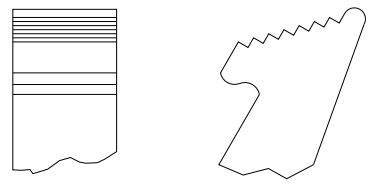
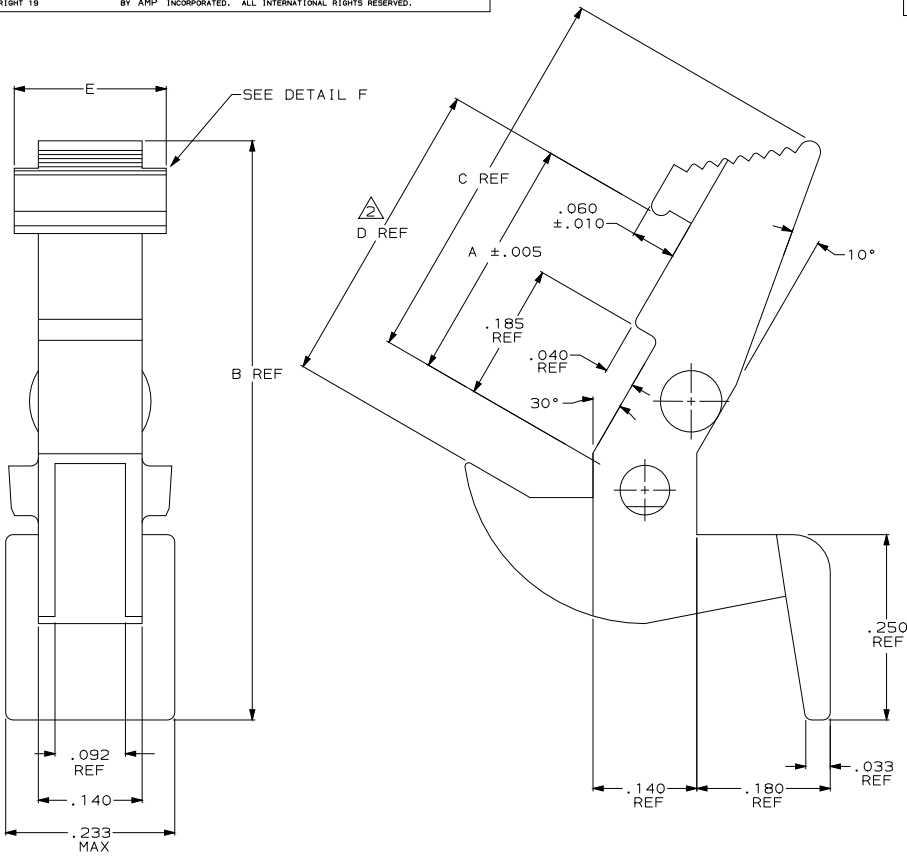


DRAWING MADE IN THIRD ANGLE PROJECTION
 THIS DRAWING IS UNPUBLISHED. RELEASED FOR PUBLICATION, 19
 © COPYRIGHT 19 BY AMP INCORPORATED. ALL INTERNATIONAL RIGHTS RESERVED.

REVISIONS								
LOC	DIST	P	F	ZONE	LTR	DESCRIPTION	DATE	APPD
GP	00				E1	REVISED PER ECO 05-016508	01MAR06	JG



.140	.474	.572	.840	.388	△ 102185-2
.205	.416	.519	.785	.330	102185-1
E	D	C	B	A	PART NUMBER

△ TO BE USED WITH AMP-LATCH™ CONNECTOR WITH STANDARD COVER.
 △ MATING RECEPTACLE HEIGHT.

DO NOT SCALE PRINT. UNLESS SPECIFIED DIMENSIONS IN INCHES TOLERANCES ON : 2 PLC DEC ± - 3 PLC DEC ± .005 ANGLES ± -		DR 07/25/90 K.L. GLOUSER/UTA	AMP Incorporated Harrisburg, PA 17105-3608	
MATERIAL FLAME RETARDANT PBT, UL94V-0 RATED, COLOR BLACK		CHK - APPD - APPD - PRODUCT SPEC -		
FINISH -	APPLICATION SPEC -	SIZE C	CAGE CODE 00779	DRAWING NO 102185
WEIGHT -		SCALE 10:1		SHEET 1 OF 1

CUSTOMER DRAWING