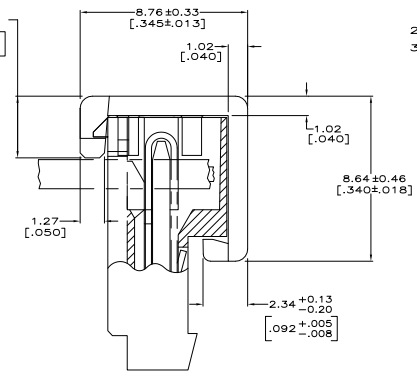
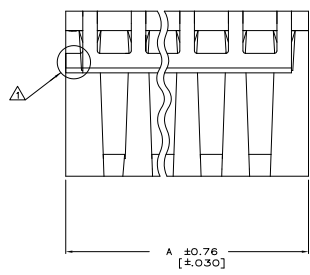
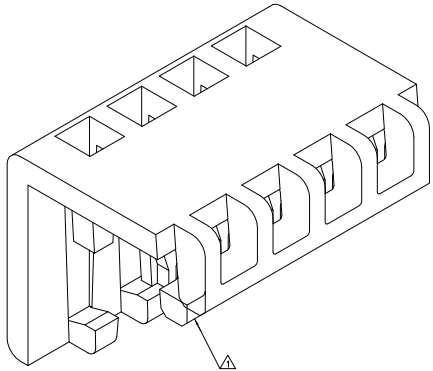


THIS DRAWING IS UNAPPROVED FOR PRODUCTION
 ALL WORK RESERVE

REVISIONS			
REV	DATE	DESCRIPTION	BY
CM 54			
G1		REVISED PER ECO-11-004887	11MAY11 RK HMR



- △ PART MAY BE MOLDED TO DESIRED POSITION SIZE OR CUT TO DESIRED POSITION SIZE FROM A LARGER POSITION SIZE PART. WHEN PART IS CUT TO DESIRED POSITION SIZE, A PORTION OF FRONT LOCKING BAR WILL REMAIN ATTACHED.
2. DIMENSIONS IN BRACKETS ARE IN INCHES.
 3. TWO POSITION (-2) PARTS WILL BE MOLDED ONLY.



3-DIMENSIONAL MODEL
 NTS



28	CIRCUIT ASSEMBLIES	71.12	[2.800]	2-643075-8
27	CIRCUIT ASSEMBLIES	68.58	[2.700]	2-643075-7
26	CIRCUIT ASSEMBLIES	66.04	[2.600]	2-643075-6
25	CIRCUIT ASSEMBLIES	63.50	[2.500]	2-643075-5
24	CIRCUIT ASSEMBLIES	60.96	[2.400]	2-643075-4
23	CIRCUIT ASSEMBLIES	58.42	[2.300]	2-643075-3
22	CIRCUIT ASSEMBLIES	55.88	[2.200]	2-643075-2
21	CIRCUIT ASSEMBLIES	53.34	[2.100]	2-643075-1
20	CIRCUIT ASSEMBLIES	50.80	[2.000]	2-643075-0
19	CIRCUIT ASSEMBLIES	48.26	[1.900]	1-643075-9
18	CIRCUIT ASSEMBLIES	45.72	[1.800]	1-643075-8
17	CIRCUIT ASSEMBLIES	43.18	[1.700]	1-643075-7
16	CIRCUIT ASSEMBLIES	40.64	[1.600]	1-643075-6
15	CIRCUIT ASSEMBLIES	38.10	[1.500]	1-643075-5
14	CIRCUIT ASSEMBLIES	35.56	[1.400]	1-643075-4
13	CIRCUIT ASSEMBLIES	33.02	[1.300]	1-643075-3
12	CIRCUIT ASSEMBLIES	30.48	[1.200]	1-643075-2
11	CIRCUIT ASSEMBLIES	27.94	[1.100]	1-643075-1
10	CIRCUIT ASSEMBLIES	25.40	[1.000]	1-643075-0
9	CIRCUIT ASSEMBLIES	22.86	[.900]	643075-9
8	CIRCUIT ASSEMBLIES	20.32	[.800]	643075-8
7	CIRCUIT ASSEMBLIES	17.78	[.700]	643075-7
6	CIRCUIT ASSEMBLIES	15.24	[.600]	643075-6
5	CIRCUIT ASSEMBLIES	12.70	[.500]	643075-5
4	CIRCUIT ASSEMBLIES	10.16	[.400]	643075-4
3	CIRCUIT ASSEMBLIES	7.62	[.300]	643075-3
2	CIRCUIT ASSEMBLIES	5.08	[.200]	643075-2

THIS DRAWING IS A CONTROLLED DOCUMENT

USE OR MTA 100 ASSEMBLIES AS LISTED

TE Connectivity

COVER, MOLDED, 080 MAX O.D. WIRE, MTA-100

DATE: 10/27/79

REV: 1

SCALE: 10:1

REV: G1