

4

3

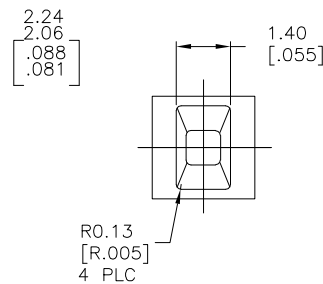
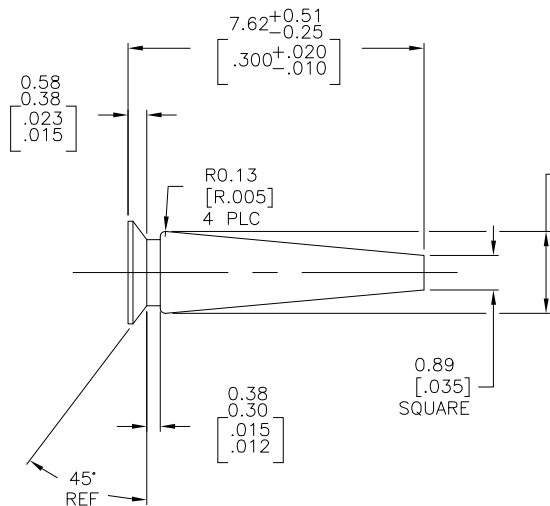
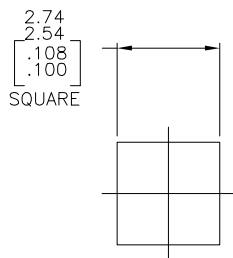
2

1

THIS DRAWING IS UNPUBLISHED. RELEASED FOR PUBLICATION  
 © COPYRIGHT - BY TYCO ELECTRONICS CORPORATION. ALL RIGHTS RESERVED.

LOC		DIST		REVISIONS			
P	LTR	DESCRIPTION		DATE	DWN	APVD	
	F1	ECO-06-017889		07AUG06	BSV	DB	

1 MOLDING COMPOUND NYLON,6/6 .  
 2. DIMENSIONS IN BRACKETS ARE IN INCHES.



BLACK	640254-2
NATURAL	640254-1
COLOR	PART NO.

**METRIC**

THIS DRAWING IS A CONTROLLED DOCUMENT.

DIMENSIONS: mm [INCHES]	TOLERANCES UNLESS OTHERWISE SPECIFIED:	DWN 10DEC91		Tyco Electronics Corporation Harrisburg, Pa 17105-3608	
0 PLC ± -	1 PLC ± -	CHK R SWING 10DEC91		NAME SL-156 KEYING PLUG, .045 SQ. POST CONNECTOR	
2 PLC ± -	3 PLC ± 0.13 [.005]	APVD 11DEC91	PRODUCT SPEC -	SIZE A3	CAGE CODE 00779
4 PLC ± -	ANGLES ± -	APPLICATION SPEC -	WEIGHT -	DRAWING NO C-640254	RESTRICTED TO -
MATERIAL 1	FINISH -	CUSTOMER DRAWING	SCALE 10:1	SHEET 1	OF 1
			REV F1		