

4

3

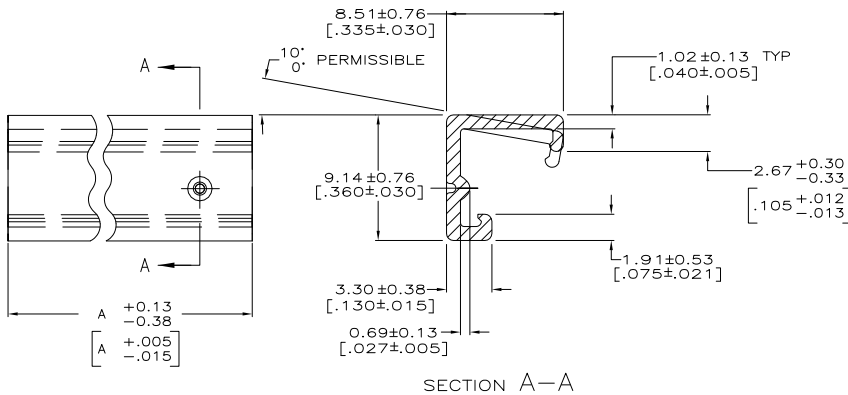
2

1

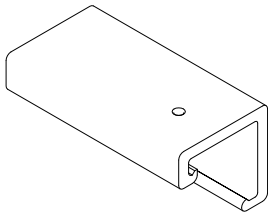
THIS DRAWING IS UNPUBLISHED. RELEASED FOR PUBLICATION  
 © COPYRIGHT - By - ALL RIGHTS RESERVED.

LOC	DIST	REVISIONS		
P	LR	DESCRIPTION	DATE	BY
CM	54			
	L1	REVISED PER ECO-11-004587	11MAR11	RK HMR

1. DIMENSIONS IN BRACKETS ARE IN INCHES.



SECTION A-A



3-DIMENSIONAL MODEL NTS

28	CIRCUIT ASSY	71.12	[2.800]	2-640550-8
27	CIRCUIT ASSY	68.58	[2.700]	2-640550-7
26	CIRCUIT ASSY	66.04	[2.600]	2-640550-6
25	CIRCUIT ASSY	63.50	[2.500]	2-640550-5
24	CIRCUIT ASSY	60.96	[2.400]	2-640550-4
23	CIRCUIT ASSY	58.42	[2.300]	2-640550-3
22	CIRCUIT ASSY	55.88	[2.200]	2-640550-2
21	CIRCUIT ASSY	53.34	[2.100]	2-640550-1
20	CIRCUIT ASSY	50.80	[2.000]	2-640550-0
19	CIRCUIT ASSY	48.26	[1.900]	1-640550-9
18	CIRCUIT ASSY	45.72	[1.800]	1-640550-8
17	CIRCUIT ASSY	43.18	[1.700]	1-640550-7
16	CIRCUIT ASSY	40.64	[1.600]	1-640550-6
15	CIRCUIT ASSY	38.10	[1.500]	1-640550-5
14	CIRCUIT ASSY	35.56	[1.400]	1-640550-4
13	CIRCUIT ASSY	33.02	[1.300]	1-640550-3
12	CIRCUIT ASSY	30.48	[1.200]	1-640550-2
11	CIRCUIT ASSY	27.94	[1.100]	1-640550-1
10	CIRCUIT ASSY	25.40	[1.000]	1-640550-0
9	CIRCUIT ASSY	22.86	[.900]	640550-9
8	CIRCUIT ASSY	20.32	[.800]	640550-8
7	CIRCUIT ASSY	17.78	[.700]	640550-7
6	CIRCUIT ASSY	15.24	[.600]	640550-6
5	CIRCUIT ASSY	12.70	[.500]	640550-5
4	CIRCUIT ASSY	10.16	[.400]	640550-4
3	CIRCUIT ASSY	7.62	[.300]	640550-3
2	CIRCUIT ASSY	5.08	[.200]	640550-2

USED ON MTA 100 CONNECTOR ASSEMBLY AS LISTED

THIS DRAWING IS A CONTROLLED DOCUMENT.		BY T. BECK 7-10-91	TE Connectivity
DRAWN BY T. BECK 7-10-91		OK BY T. SWING 7-10-91	
DIMENSIONS: MM [INCHES]		APPROVED BY T. WEST 7-10-91	NAME: COVER, MTA-100
MATERIAL: POLYESTER LUL 94V-0 NATURAL		FINISH: -	RESTRICTED TO: -
CUSTOMER DRAWING		SIZE: A2	CAGE CODE: 00779
		DRAWING NO: 640550	SCALE: 5:1
		SHEET: 1 of 1	REV: L1

