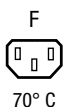


IEC Appliance Outlet F, 70°C



Description

- Panel Mount:
- Screw-on mounting from rear-side
- Connector, Pin temperature 70 °C, Protection class I
- For PCB mounting
- On phase-out, not recommended for new design

Approvals

- VDE Certificate Number: 65981
- UL File Number: E93616

References

We recommend for new applications the new type 5001

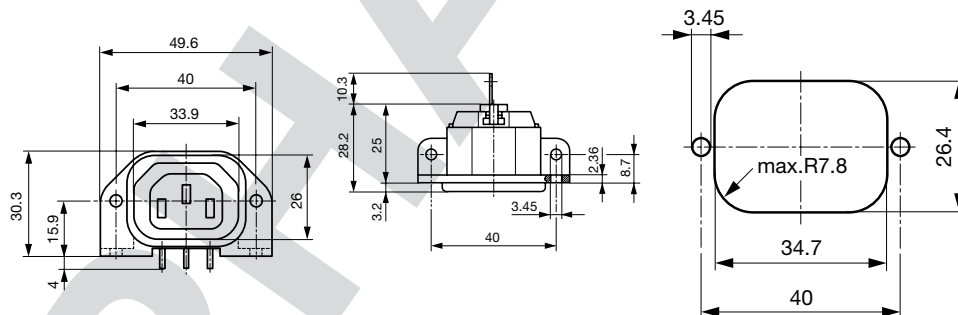
Weblinks

[General Product Information](#), [Approvals](#), [RoHS](#), [CHINA-RoHS](#), [Mating Connectors](#), [e-Store](#), [SCHURTER-Stock-Check](#), [Distributor-Stock-Check](#), [Accessories](#)

Technical Data

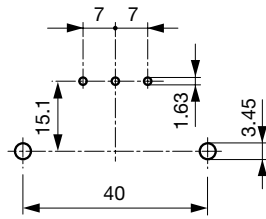
Ratings IEC	10A / 250VAC; 50Hz	Appliance Outlet	F acc. to IEC/EN 60320-2-2,
Ratings UL/CSA	15A / 250VAC; 60Hz		UL 498, CSA C22.2 no. 42 (for cold
Dielectric Strength	> 2kVAC between L-N > 2kVAC between L/N-PE (50Hz)		conditions) pin-temperature 70 °C, 10A, Protection Class 1
Allowable Operation Temp.	-25 °C to 70 °C		
Degree of Protection	from front side IP 30 acc. to IEC 60529		
Protection Class	Suitable for appliances with protection class 1 acc. to IEC 61140		
Terminal	For PCB mounting ; Ground terminal: Quick connect terminals 4.8 x 0.8 mm straight		
Panel Thickness s	Screw: max 3 mm Mounting screw torque max 0.5 Nm		
Material: Housing	Thermoplastic, black, UL 94V-0		

Dimensions



Drilling diagrams

Drilling plan



Variants

Panel mounting	Panel Thickness s [mm]	Order Number
Screw	3	4300.0251

Packaging unit 30 Pcs

Mating Inlets/Plugs

Category / Description

[Interconnection Cord Overview complete](#)



Interconnection Cord with IEC Plug E, Angled	0607
Interconnection Cord with IEC Plug E, Angled	0608
Interconnection Cord with IEC Plug E, Straight	0609
Interconnection Cord with IEC Plug G, Angled	607B
Interconnection Cord with IEC Plug G, Angled	608B
Interconnection Cord further types to P675/PC	...

[Plug Overview complete](#)



IEC Plug E, Cord Connector (Rewireable), Straight, max. cable Diameter 8.5 mm	4732
IEC Plug E, Cord Connector (Rewireable), Angled, max. Cable Diameter 10 mm	4733
IEC Plug E, Cord Connector (Rewireable), Straight, max. Cable Diameter 10 mm	4735
IEC Plug E, Cord Connector (Rewireable), Angled, max. Cable Diameter 10 mm	4736
IEC Plug E, Cord Connector (Rewireable), Straight	9009
Plug further types to P675/PC	...