

DRAWING MADE IN THIRD ANGLE PROJECTION

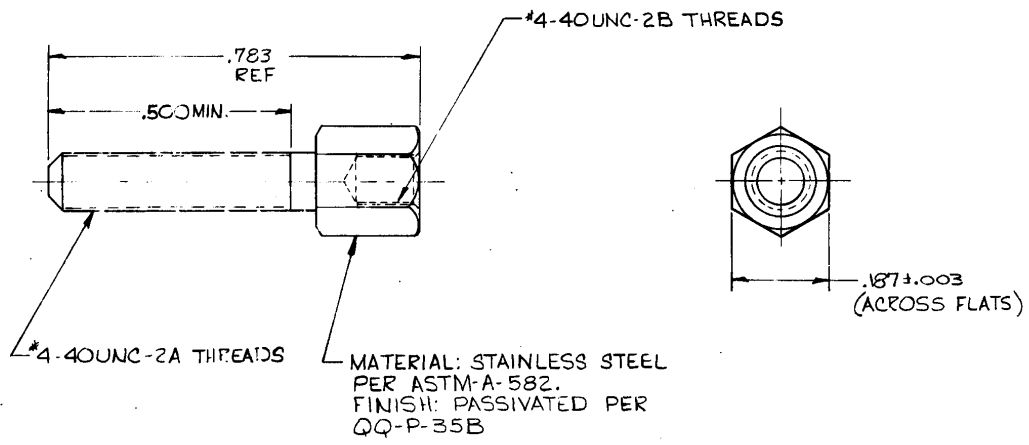
3

2

1 LOC R DIST 3G

THIS DRAWING IS UNPUBLISHED. RELEASED FOR PUBLICATION 19
 © COPYRIGHT 19 BY AMP INCORPORATED, HARRISBURG, PA. ALL INTERNATIONAL RIGHTS RESERVED. AMP PRODUCTS MAY BE COVERED BY U.S. AND FOREIGN PATENTS AND/OR PATENTS PENDING.

		REVISIONS				
P	F	ZONE	LTR	DESCRIPTION	DATE	APPROVED
/	/	R		ECO-10-010402	PY 6-10	RL



		AS SHOWN	212452-1	
		DESCRIPTION	PART NO	
UNLESS OTHERWISE SPECIFIED DIMENSIONS ARE IN INCHES. TOLERANCES ON: DECIMALS ± .005 ANGLES ± 1°		AMP AMP INCORPORATED Harrisburg, Pa.		
CONTRACT NO	DR	NAME		
		SCREWLOCK, FEMALE, AMPLIMITE, NON-MAG.		
MATERIAL	APP'D	SIZE	FSCM NO	DRAWING NO
SEE CALLOUTS		B	00779	212452
FINISH	DSCN APPROV	SCALE	NTS	SHEET 1 OF 1
SEE CALLOUTS	OTHER APPROV			

AMP 1470-15 REV 2-81

CUSTOMER DRAWING