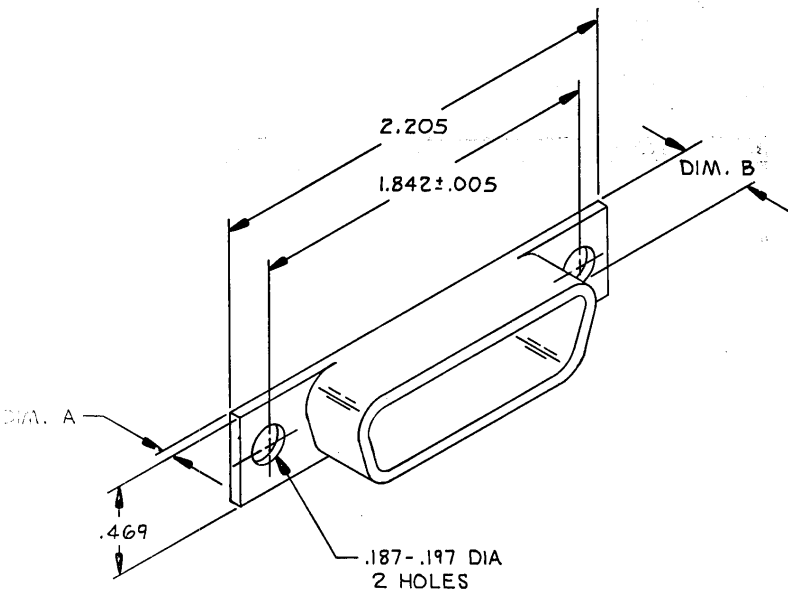


NOT FOR PUBLICATION. RELEASED FOR PUBLICATION 19  
 COPYRIGHT 19 BY AMP INCORPORATED, HARRISBURG, PA. ALL INTERNATIONAL RIGHTS RESERVED. AMP PRODUCTS MAY BE COVERED BY U.S. AND FOREIGN PATENTS AND/OR PATENTS PENDING.

REVISIONS						
P	F	ZONE	LTR	DESCRIPTION	DATE	APPROVED
A			A	ADD -2; NPI C87-5	1-21-87	[Signature]



1. ALL DIMENSIONS SHOWN ARE MAXIMUM UNLESS OTHERWISE SPECIFIED.  
 2 BRIGHT NICKEL OVER COPPER PLATED ZINC DIE CASTING.

.393	.073	55514G-2
.373	.053	55514G-1
DIM. B	DIM. A	PART NO

UNLESS OTHERWISE SPECIFIED DIMENSIONS ARE IN INCHES. TOLERANCES ON: DECIMALS ± .005 ANGLES ± .005	CONTRACT NO	AMP		AMP INCORPORATED Harrisburg, Pa.
	DR <i>V.E. Schick 1/15/87</i>			
MATERIAL	CHK <i>B. Fox 1-16-87</i>	NAME SHIELD, RECEPTACLE, 24 POSITION RIGHT ANGLE, CHAMP®		
	APPD <i>R. Schick 1-16-87</i>	SIZE <b>B</b>	FSCM NO 00779	DRAWING NO 55514G
FINISH	APPD <i>R. Schick 1-16-87</i>	SCALE 2:1	SHEET 1 OF 1	
	OTHER APPD			

CUSTOMER DRAWING