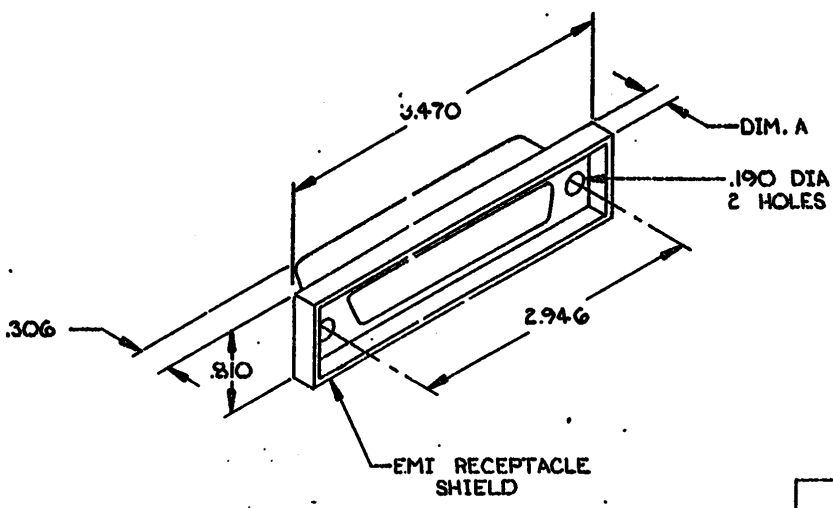


DRAWING MADE IN THIRD ANGLE PROJECTION

THIS DRAWING IS UNPUBLISHED, RELEASED FOR PUBLICATION  
 COPYRIGHT IS BY AMP INCORPORATED, HARRISBURG, PA. ALL INTERNATIONAL RIGHTS RESERVED. AMP PRODUCTS MAY BE COVERED IN U.S. AND FOREIGN PATENTS AND/OR PATENTS PENDING.

REVISIONS					
P	ZONE	LTR	DESCRIPTION	DATE	APPROVED
01			ORLSD PER C81-57	6/15/83	PKC

1. ALL DIMENSIONS SHOWN ARE FOR REFERENCE ONLY UNLESS OTHERWISE SPECIFIED.  
 ▲ MATERIAL: BRIGHT NICKEL PLATED ZINC DIE CASTING,



.080	5534-02-6
.193	5534-02-5
DIM. A	PART NO

UNLESS OTHERWISE SPECIFIED DIMENSIONS ARE IN INCHES. TOLERANCES ON: DECIMALS .015 ANGLES .5	CONTRACT NO	AMP   AMP INCORPORATED Harrisburg, Pa.	
	DR <i>Phil Collins 6-15-83</i>	NAME SHIELD, EMI RECEPTACLE, 50 POSITION, CHAMP	
MATERIAL ▲	CHK <i>MW 6-22-83</i>	FIG. NO. 00779	DRAWING NO. 5534-02
FINISH ▲	OTHER APPS	SCALE 1:1	SHEET 1 OF 1

CUSTOMER DRAWING

AMP 1470-15 REV 2-81