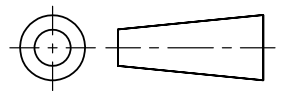


DO NOT SCALE

DIMENSIONS IN mm

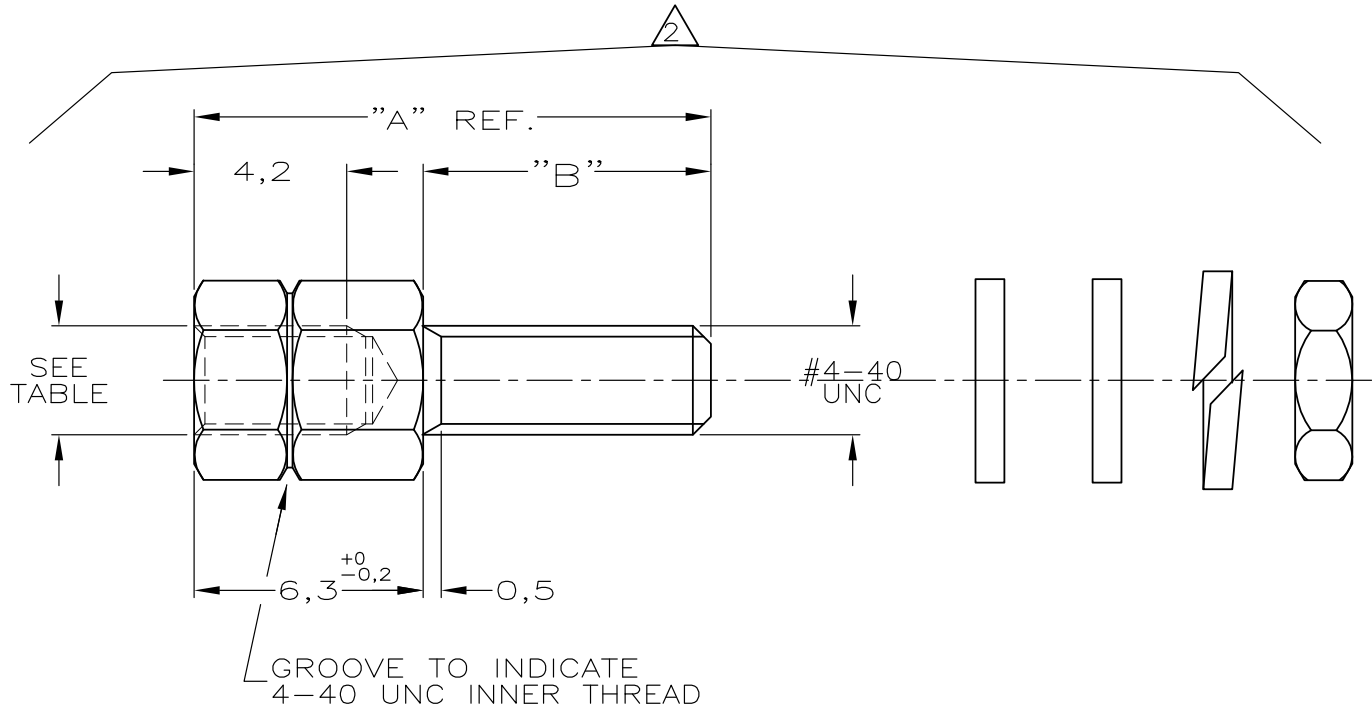
METRIC

THIRD ANGLE  
PROJECTION



NOTES:

- 1 PARTS PACKED UNASSEMBLED
- 2 THIS KIT CONTAINS TWO SCREWLOCK ASSEMBLIES.
- 3 FEMALE SCREWLOCK :BRASS  
NUT AND RINGS :STEEL
- 4 OBSOLETE PARTS: OBSOLETE CIS STREAMLINING PER D.RENAUD/D.SINISI



M3	11,0	17,2	TINPLATED	BRASS	828347-6	4	
4-40 UNC	11,0	17,2			828347-5		
M3	9,7	15,9			828347-4		
M3	5,0	11,2			828347-3	4	
4-40 UNC	9,7	15,9			828347-2		
4-40 UNC	5,0	11,2			828347-1		
THREAD	DIM "B"	DIM "A"	FINISH	MATERIAL	ORDERNUMBER		
-	-	-	CUSTOMER DRAWING			FOR REFERENCE ONLY WILL NOT BE UPDATED	
-	-	-	© COPYRIGHT 19 - BY AMP HOLLAND B.V.				
-	-	-	ALL INTERNATIONAL RIGHTS RESERVED.AMP PRODUCTS MAY BE COVERED BY U.S. AND FOREIGN AND/OR PATENTS PENDING.				
-	-	-	THIS DRAWING IS UNPUBLISHED				
-	-	-	RELEASED FOR PUBLICATION _____, 19 _____				
-	-	-			AMP HOLLAND B.V. 's-Hertogenbosch, The Netherlands.		
B1	REVISED PER ECO-09-023313	KK AEG			130CT09	NAME	
B	H-9720	S.M. C.V.T	21-04-92	AMPLIMITE, KIT, FEMALE SCREWLOCK ASSEMBLY			
LTR.	REVISION RECORD	DR. CHK.	DATE				
DR.:	D.KESSLER.	CHK.:	C.v.TILBURG.	APP.:	L.v.SOEST.	DWG.No.	
DATE:	02-04-91	DATE:	23-04-91	DATE:	25-04-91	C-828347	
				REV.LTR.	B1	SHEET	
						1 OF 1	
						A4	