

DRAWING MADE IN THIRD ANGLE PROJECTION

3

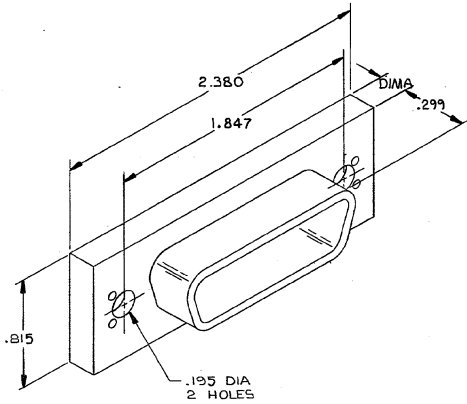
2

1

AA 15/2

THIS DRAWING IS UNPUBLISHED. RELEASED FOR PUBLICATION 19
 © COPYRIGHT 19 BY AMP INCORPORATED, HARRISBURG, PA. ALL INTERNATIONAL RIGHTS RESERVED. AMP PRODUCTS MAY BE COVERED BY U.S. AND FOREIGN PATENTS AND/OR PATENTS PENDING.

REVISIONS					
P	F	ZONE	DESCRIPTION	DATE	APPROVED
D			REVISED PER ECN AA-2543	3-14-82	SD



1. ALL DIMENSIONS SHOWN ARE MAXIMUM UNLESS OTHERWISE SPECIFIED.

553035

.085	ZINC	REAR ONLY	553035-6
.198		FRONT & REAR	553035-5
DIM A	MATERIAL	TYPE MOUNTING	PART NO

UNLESS OTHERWISE SPECIFIED DIMENSIONS ARE IN INCHES. TOLERANCES ON: DECIMALS \pm # ANGLES \pm #	CONTRACT NO		AMP INCORPORATED Harrisburg, Pa. 17105	
	DR <i>L. Bouman</i> 12-31-81	NAME		
	CHK <i>MD</i> 1-13-82	SHIELD, EMI RECEPTACLE, PANEL MOUNTING, CHAMP		
	APPR <i>Chick</i> 1-14-82	DRAWING NO		
MATERIAL SEE TABLE	APPR <i>SKK</i> 1-14-82	SIZE C	FSCM NO 00779	553035
FINISH BRIGHT NICKEL PLATE	DSGN APPD	SCALE 2/1	SHEET 1 OF 1	
	OTHER APPD	CUSTOMER DRAWING		

AMP 1471-6 REV 2-81