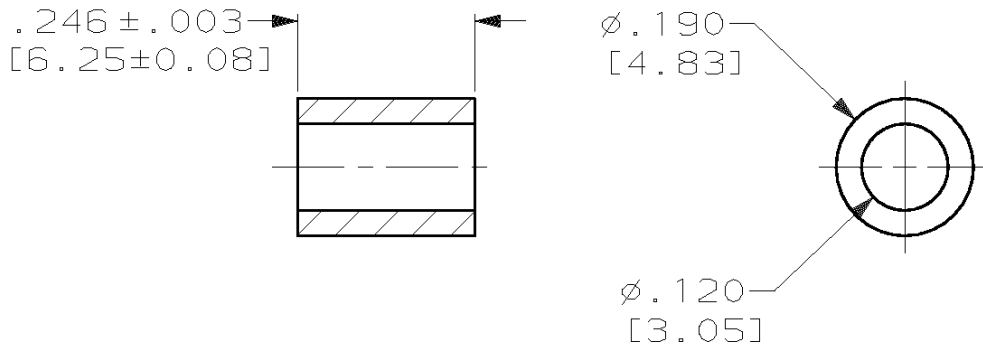


| | | | | | | | |
|-----|------|-----------|-----|-------------------------|------|-----|------|
| LOC | DIST | REVISIONS | | | | | |
| DF | DO | P | LTR | DESCRIPTION | DATE | DWN | APVD |
| | | | B | PER EC OGED-0584-01 DBK | 8/02 | CT | CB |

- 1 MATERIAL: ALUMINUM ALLOY PER ASTM-B-211.
- 2 IRIDITE PER MIL-C-5541 CLASS 3, COLOR: COLD



RELEASED FOR PUBLICATION

BY AMP INCORPORATED. ALL RIGHTS RESERVED.

THIS DRAWING IS UNPUBLISHED.

| | | | | |
|--------|-----------------|-----|----------|-------------|
| 2 | BULK PACKAGE | 2 | 443279-1 | 443279-3 |
| 2 | ONE KIT PER BAG | 2 | 443279-1 | 443279-2 |
| 2 | - | AR | 1 | 443279-1 |
| FINISH | PACKAGING | QTY | MATERIAL | PART NUMBER |

| | | | | | | |
|--|--------------------|----------|---|-----------|------------|-----------|
| DIMENSIONS: IN [mm] | DWN T. THOMPSON | 04-03-95 | MATERIAL | SEE TABLE | FINISH | SEE TABLE |
| | CHK F. KINSEY | 04-03-95 | AMP Incorporated Harrisburg, PA 17105-3608 | | | |
| TOLERANCES UNLESS OTHERWISE SPECIFIED: | APVD F. KINSEY | 04-03-95 | | | | |
| 0 PLC ±- | PRODUCT SPEC | - | NAME SPACER, LOW PROFILE | | | |
| 1 PLC ±- | APPLICATION SPEC | - | SIZE | CAGE CODE | DRAWING NO | |
| 2 PLC ±- | WEIGHT | - | A4 | 00779 | C-443279 | |
| 3 PLC ±.005 [0.13] | CUSTOMER DRAWING | | SCALE | 4:1 | SHEET | 1 OF 1 |
| 4 PLC ±- | | | | | | REV B |
| ANGLES ±- | | | | | | |