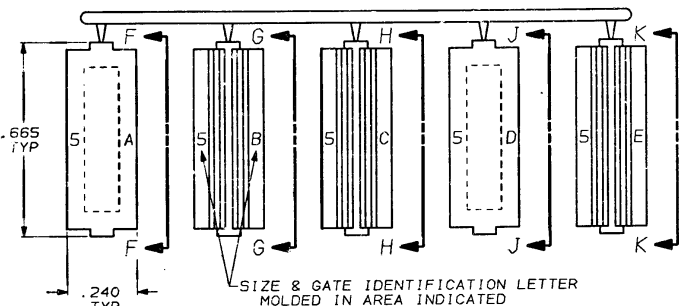
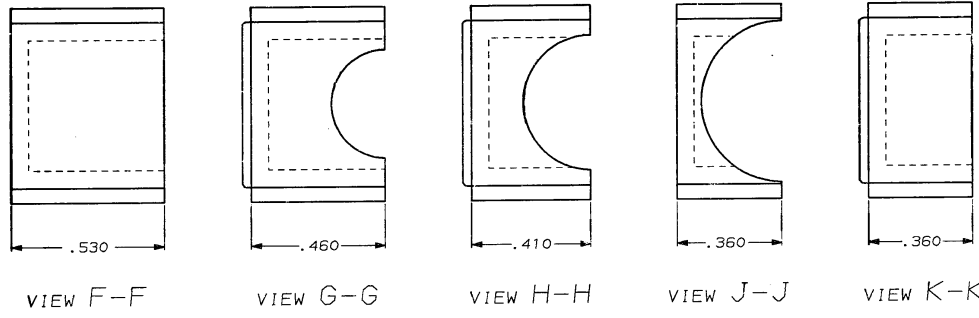


DRAWING MADE IN THIRD ANGLE PROJECTION
 THIS DRAWING IS UNPUBLISHED. RELEASED FOR PUBLICATION
 COPYRIGHT © 1964 BY AMP INCORPORATED, HARRISBURG, PA. ALL INTERNATIONAL RIGHTS RESERVED. AMP PRODUCTS MAY BE COVERED BY U. S. AND FOREIGN PATENTS AND/OR PATENTS PENDING.

LOC	DIST	REVISONS		SCRIPT ON	DATE	APPROVED
BD	39	REVISED &	REDRAWN	ECN-14	35	8-19-64



1. GATES ARE SHIPPED ATTACHED TO RUNNER.



S-E	.350
S-D	.490
S-C	.475
S-B	.395
S-A	
GATE	CABLE DIA REF

UNLESS OTHERWISE SPECIFIED DIMENSIONS ARE IN INCHES TOLERANCES ON:		DR = <i>W. K. ...</i>		AMP INCORPORATED Harrisburg, Pa. 17105	
2 PL DEC ± .005		CHK = <i>...</i>		NAME	
3 PL DEC ± .005		APPD = <i>...</i>		CABLE GATES, FOR SIZE S. 90° & 180° EXIT, AMPLIMITE®	
ANGLES ± .005		APPD = <i>...</i>		SIZE FSCM NO DRAWING NO	
MATERIAL POLYPROPYLENE COLOR: BLACK		PRODUCT SPEC		C C 00779 207478	
FINISH		APPLICATION SPEC		SCALE NTS SHEET 1 OF 1	
		WEIGHT			

CUSTOMER DRAWING

AMP 1471-7 REV 10-64

207478