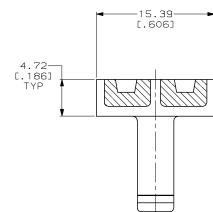
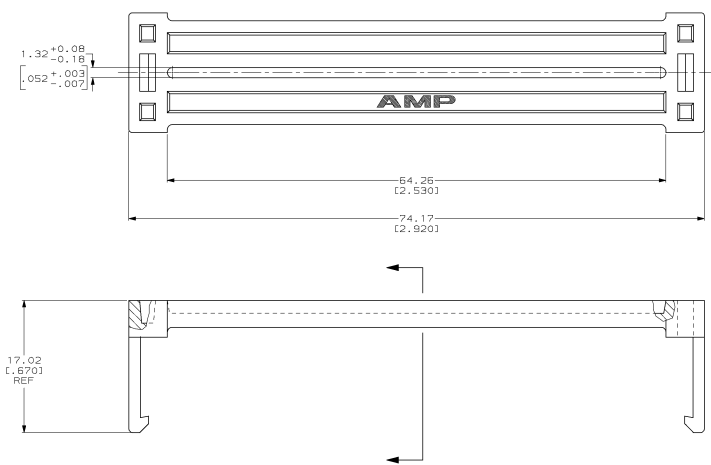


THIS DRAWING IS UNCLASSIFIED
 EXCEPT FOR PORTION
 CONTROL IS BY AMP INCORPORATED. ALL RIGHTS RESERVED.

REV. SET		REVISIONS			
NO.	DATE	BY	CHK	APP	DESCRIPTION
AR	34				
A					REV PER EC 0020-803-95
					82 AUG 98 CR DK



746785-1
 PART NUMBER

AMP AMP Incorporated Harrisburg, PA 17105-3606	
DRAWN BY: J. J. DEBACHEY CHECKED BY: W. E. ZELKO DATE: 08/27/95	STRAIN RELIEF, 50 POSN HDF LOW PROFILE, AMP-LATCH
TITLE: CUSTOMER DRAWING PART: 746785-1 SIZE: A1 QUANTITY: 100779 SHEET: 4.1 OF 1	PART NUMBER: 746785-1 DATE: 8/27/95

AMP 468 REV 09/01/94
 02-148-06 05/31/24 sup3065 /Amn/yd25/typ/425/typ3065/2002