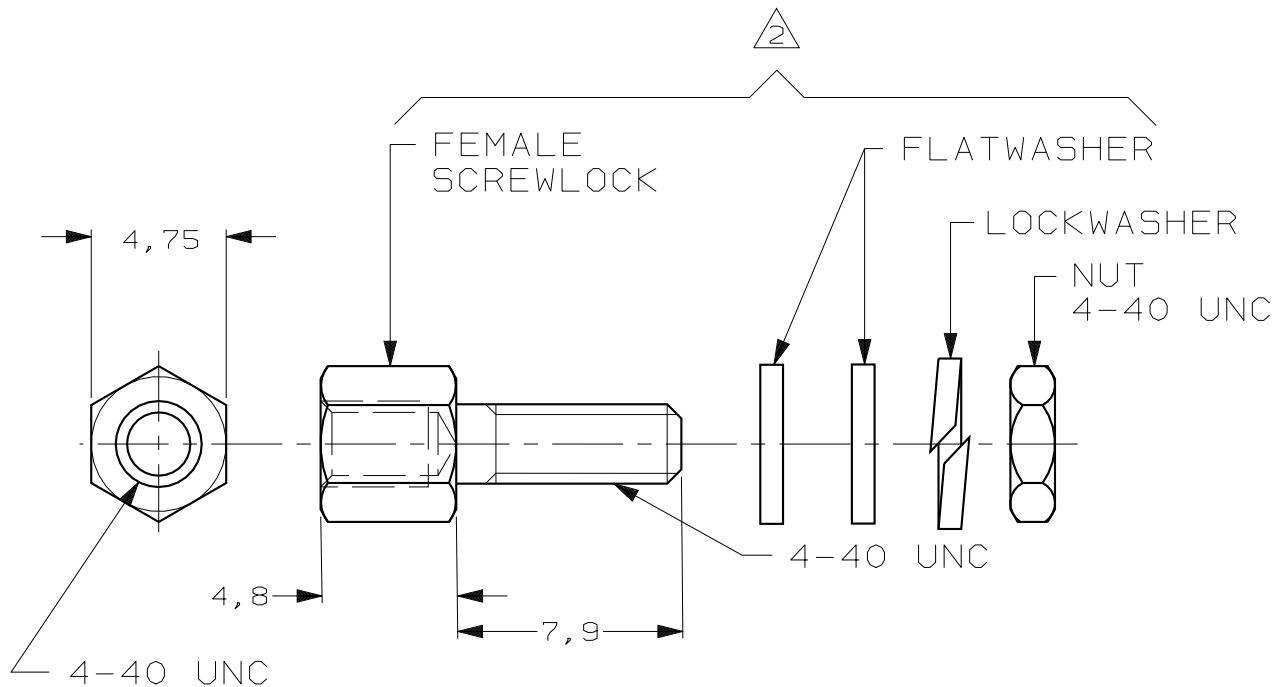
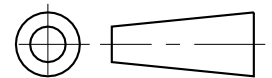


DO NOT SCALE

DIMENSIONS IN mm

METRIC

THIRD ANGLE
PROJECTION

- NOTES: 1 PARTS PACKAGED UNASSEMBLED
 2 THIS KIT CONTAINS TWO SCREWLOCK ASSEMBLIES
 3 BULKPACKAGE CONSISTS OF 50 KITS
 PLEASE ORDER IN UNITS OF 50 KITS
 4 FOR MOUNTING INSTRUCTIONS SEE I-042-087
 5 167501-1, -3, SUPERSEDED BY 167501-2.

E	ECR-05-013427	JvdH	JB	19 OCT 05
D	ECR-05-009767	JvdH	JB	26 AUG 05
C	EH01-0375-04	JvdH	PDJ	16 MAR 04
LTR.	REVISION RECORD	DR.	CHK.	DATE

KIT	2 BRIGHT TINPLATED	STEEL	5 167501-3
BULKPACKAGED	3 BRIGHT TINPLATED		167501-2
BULKPACKAGED	3 ZINC YELLOW CHROMATE		5 167501-1
DESCRIPTION	FINISH	MATERIAL	PARTNUMBER

CUSTOMER
DRAWING**AMP**

AMP-HOLLAND B.V.

's-Hertogenbosch, The Netherlands.

THIS DRAWING IS UNPUBLISHED ~~RELEASED FOR PUBLICATION~~, 19FOR REFERENCE ONLY
WILL NOT BE UPDATED© COPYRIGHT 19- BY AMP-HOLLAND B.V.
ALL INTERNATIONAL RIGHTS RESERVED.
AMP PRODUCTS MAY BE COVERED BY U.S. AND FOREIGN PATENTS AND/OR
PATENTS PENDING.

DR. P.D. JÄGER	DATE 21-03-89	WIRE RANGE -	NAME AMPLIMITE, KIT, FEMALE SCREWLOCK ASSEMBLY 4-40 UNC	REV. DATE D M Y 21 03 89
CHK. -	DATE -	INSUL. RANGE -		
APP. -	DATE -	SIZE A4	SHEET 1 OF 1	DWG. No. 167501 REV. LTR. E