

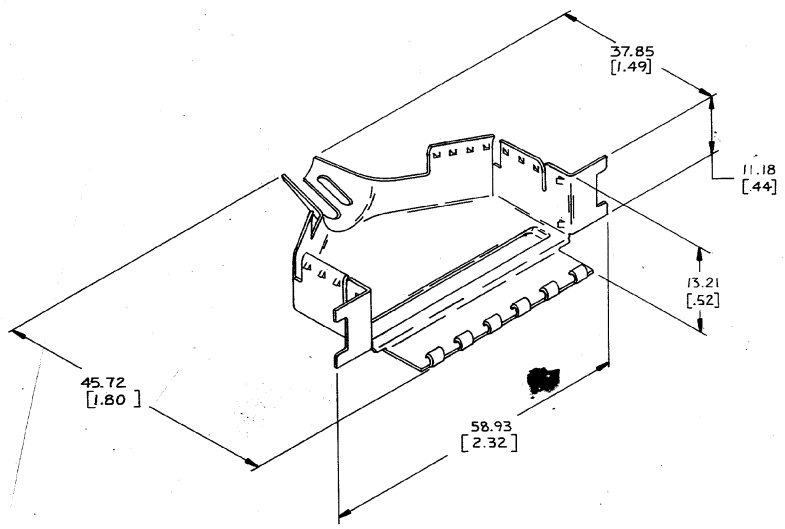
DRAWING MADE IN THIRD ANGLE PROJECTION

THIS DRAWING IS UNPUBLISHED. RELEASED FOR PUBLICATION

© COPYRIGHT 19 BY AMP INCORPORATED, HARRISBURG, PA. ALL INTERNATIONAL RIGHTS RESERVED. AMP PRODUCTS MAY BE COVERED BY U.S. AND FOREIGN PATENTS AND/OR PATENTS PENDING.

REVISONS		DATE	APPROVED
P	F	ZONE	LTR
A		A	REVISED PER ECN AA-450
		4-12-83	PAC

1. DIMENSIONS IN BRACKETS [] ARE IN INCHES.
2. CABLE RANGE: .250-.500 DIA



554254-1 AS SHOWN

UNLESS OTHERWISE SPECIFIED DIMENSIONS ARE IN MM		CONTRACT NO		AMP AMP INCORPORATED Harrisburg, Pa. 17105	
TOLERANCES ON:		DR	9-9-83	NAME	
DECIMALS		CHK	MD	SHIELD, INSIDE, EMI, 180°, PLUG, 36 POSITION, BAIL LOCK	
ANGLES		APPD	9/12/82	SIZE	FSCM NO
MATERIAL		DSGN APPD		C	00779
CARBON STEEL		OTHER APPD		DRAWING NO	
FINISH				554254	
BRIGHT NICKEL PLATE				SCALE	2:1
				SHEET 1 OF 1	

CUSTOMER DRAWING

AMP 1471-7

554254-A