

4

3

2

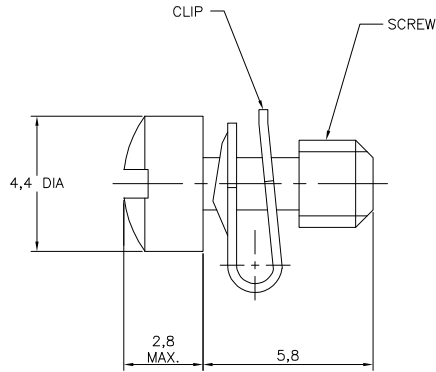
1

THIS DRAWING IS UNPUBLISHED. RELEASED FOR PUBLICATION  
 © COPYRIGHT - BY TYCO ELECTRONICS CORPORATION. ALL RIGHTS RESERVED.

LOC	DIST	REVISIONS					
		P	LTR	DESCRIPTION	DATE	DWN	APVD
H	-	A		NEW	15-07-05	JvdH	DC
		B		ECR-05-013427	19-10-05	JvdH	JB
		C		ECR-06-019973	27-11-06	BSV	MK

NOTES:

- ⚠ PARTS PACKAGED UNASSEMBLED.  
1 KIT CONTAINS 2 SCREWS , 2 CLIPS.
- ⚠ SCREW: STEEL  
CLIP : STAINLESS STEEL
- ⚠ SCREW: BRIGHT TINPLATED.  
CLIP : NO PLATING.
- ⚠ INDIVIDUAL KIT : 2 SCREWS +2 CLIPS IN ONE PLASTIC BAG
- ⚠ 100 KITS BULKPACKAGE : 200 SCREWS IN ONE PLASTIC BAG AND  
200 CLIPS IN ANOTHER PLASTIC BAG.  
1857211-3 AND -4 TO BE ORDERED IN MULTIPLES OF 100  
PIECES OF THE PARTNUMBER.



⚠	⚠	⚠	M3	1857211-4
			4-40 UNC.	1857211-3
⚠	⚠	⚠	M3	1857211-2
			4-40 UNC.	1857211-1
PACKING	FINISH	MATERIAL		PART NUMBER

THIS DRAWING IS A CONTROLLED DOCUMENT.		Tyco Electronics Corporation s-Hertogenbosch, Nederland.	
DIMENSIONS:	TOLERANCES UNLESS OTHERWISE SPECIFIED:	DWN	J.V.D.HEIJDEN. 15JUL05
MM		CHK	D.CAMPSCHEER 15JUL05
		APVD	J.BROEKSTEEG 15JUL05
		NAME	
		PRODUCT SPEC	
		APPLICATION SPEC	
		WEIGHT	
MATERIAL	FINISH	SIZE	CAGE CODE
		A3	00779
		DRAWING NO	1857211
		RESTRICTED TO	
		CUSTOMER DRAWING	SCALE NTS
		SHEET	1 OF 1
		REV	C