

4

3

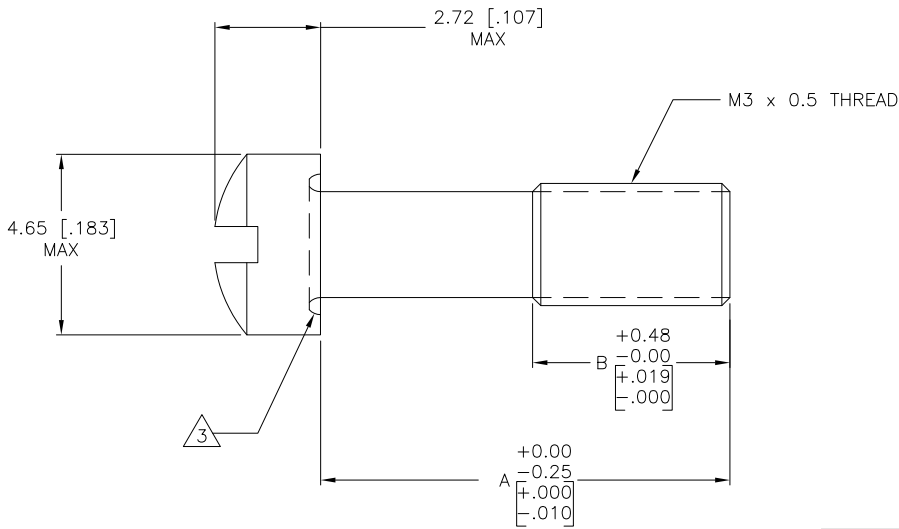
2

1

THIS DRAWING IS UNPUBLISHED. RELEASED FOR PUBLICATION  
 © COPYRIGHT - BY TYCO ELECTRONICS CORPORATION. ALL RIGHTS RESERVED.

LOC	DIST	REVISIONS			
P	LTR	DESCRIPTION	DATE	DWN	APVD
GP	00				
	01	REVISED PER ECO-07-007540	21JUN07	JDP	CWR

- ① ZINC PLATED .000200-.000400 THICK, YELLOW CHROMATE COATING.
- ② ZINC PLATED .000200-.000400 THICK, CLEAR CHROMATE COATING.
- ③ UNDERCUT MAY OR MAY NOT BE PRESENT IN THIS AREA.



5.08 [.200]	10.54 [.415]	②	5207880-6
2.54 [.100]	5.84 [.230]	①	5207880-2
B	A	FINISH	PART NUMBER

THIS DRAWING IS A CONTROLLED DOCUMENT.		DWN	Tyco Electronics		Tyco Electronics Corporation	
DIMENSIONS: mm [INCHES]		R. RICHARDSON	23JUN05	Harrisburg, PA 17105-3608		
TOLERANCES UNLESS OTHERWISE SPECIFIED:		CHK	23JUN05	NAME		
0 PLC	± -	C. RÖHDE	23JUN05	SCREW, FILLISTER HEAD, METRIC, AMPLIMITE		
1 PLC	± -	APVD		SIZE		
2 PLC	± -	M. WALMSLEY		CAGE CODE		
3 PLC	± -	PRODUCT SPEC		DRAWING NO		
4 PLC	± -	APPLICATION SPEC		RESTRICTED TO		
ANGLES	± -	WEIGHT		A3 00779 C=5207880		
MATERIAL	FINISH	CUSTOMER DRAWING		SCALE 10:1 SHEET 1 OF 1 REV 01		
COLD ROLLED STEEL	SEE TABLE					